

## Lilum

SOFAS

2023

Antonio Citterio



## Description

---

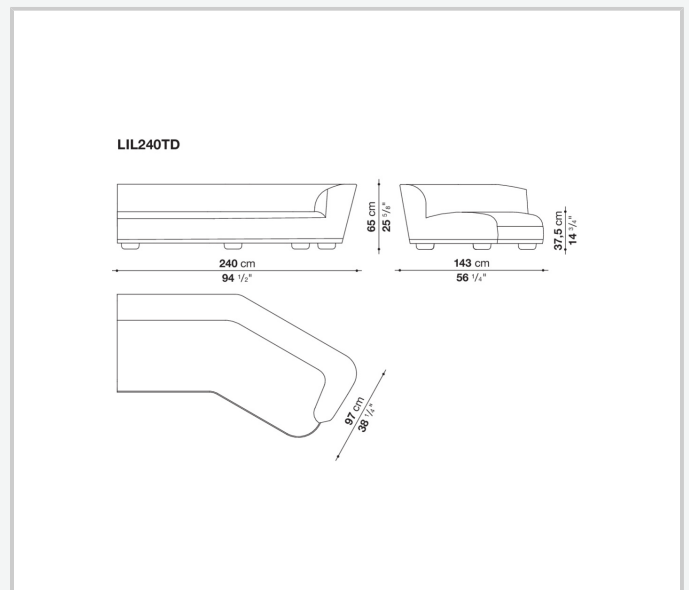
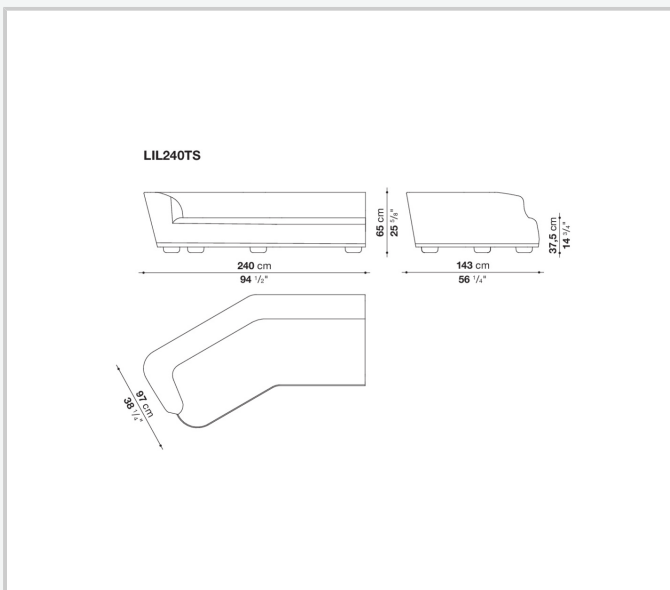
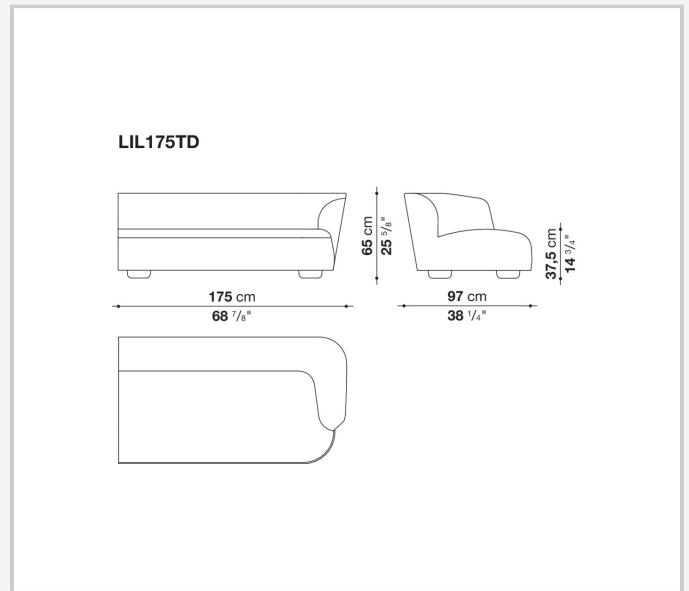
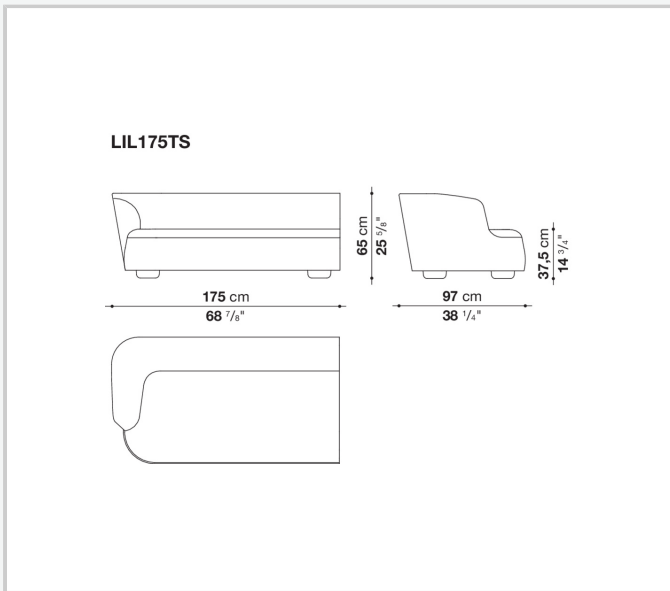
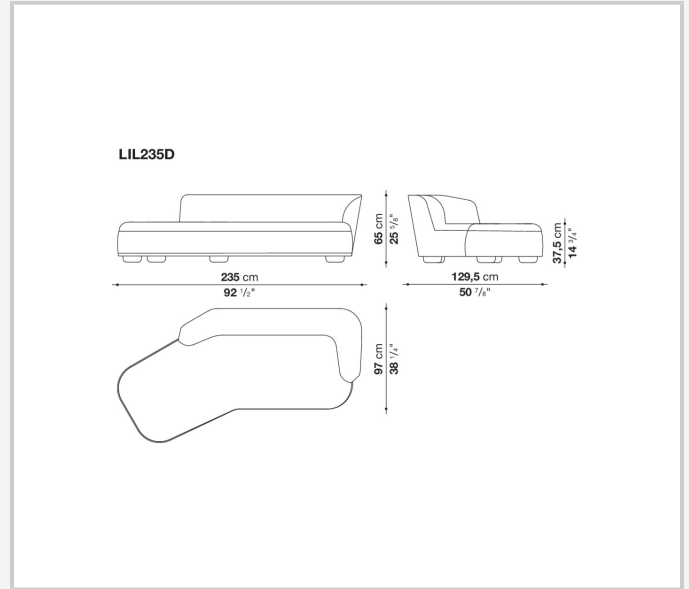
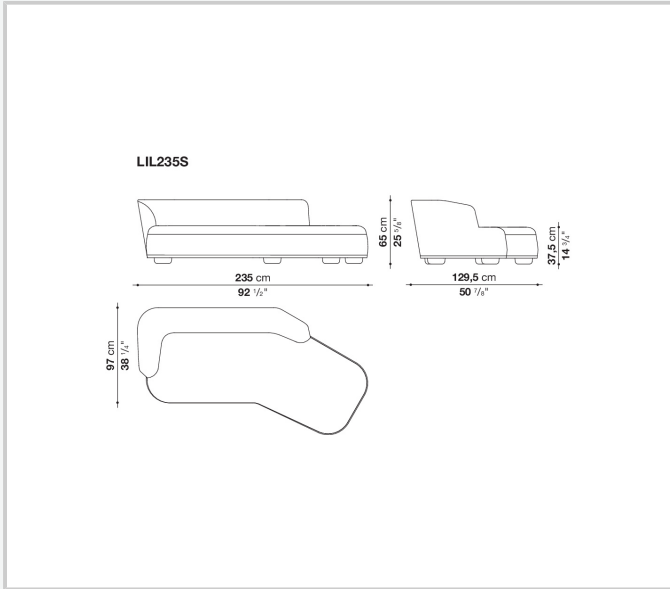
Characterized by the sinuous, organic-inspired lines Lilum is designed specifically for convivial and intimate solutions, and therefore to exist within the same environment together with more formal sofas. This is the only sofa in the Maxalto range with a direct seating frame. It is available in various compact shapes. The construction technique is mixed: the backrest is molded using in-house technology that ensures maximum precision of each profile, while the base is made using the classic technique for quality with multilayer glued laminated wood, without nails or glue. The aluminium profile in various finishes, that perfectly follow its geometry that defines the contour with a touch of understated refinement, while the accentuated edge separating the base from the seating, is a reminder of traditional handcrafted sofas.

## Technical information

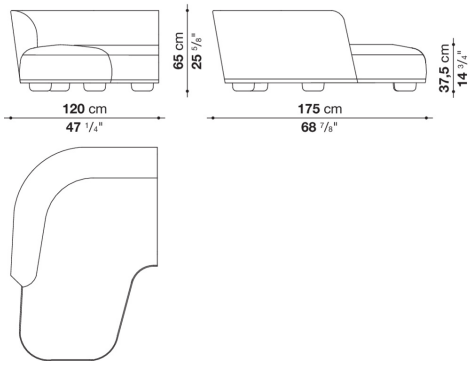
---

Internal frame  
tubular steel and steel profiles  
Seat internal frame  
multi-layered wood panel  
Seat internal frame upholstery  
shaped polyurethane of different density, polyester fibre cover  
Back internal frame upholstery  
Bayfit® flexible cold shaped polyurethane foam, polyester fibre cover  
Lower edge  
aluminium extrusions  
Ferrules  
thermoplastic material  
Cover  
fabric or leather

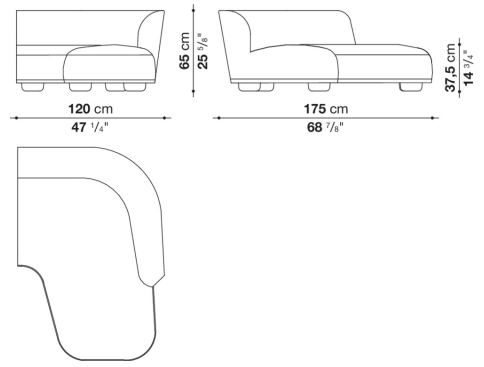
# Technical drawings



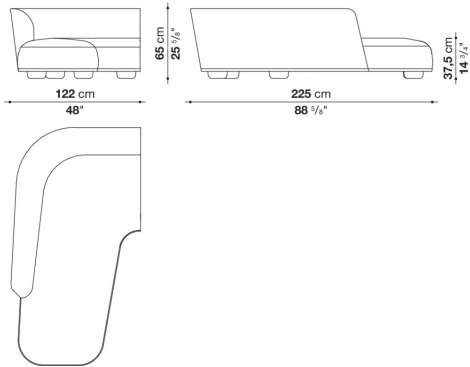
LIL175LS



LIL175LD



LIL225LS



LIL225LD

