

Febo

SOFAS

2008

Antonio Citterio



Description

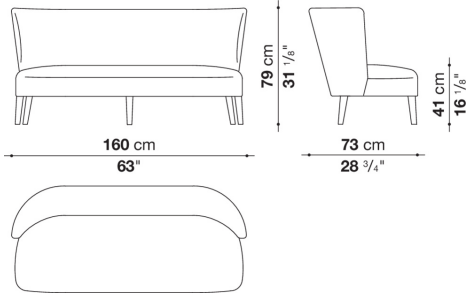
Febo is a family of seats that carries with it the memory of a traditional design distinguished by a large enveloping back without armrests. The sofas, available as two-seater or three-seater, come in two sizes: a smaller one with low or high seat cushion and a larger one. The upholstery is in fabric or leather with visible blanket stitching. The base-frame and legs are in solid wood and are also available in a single-material version, covered in fabric or leather like the cushions.

Technical information

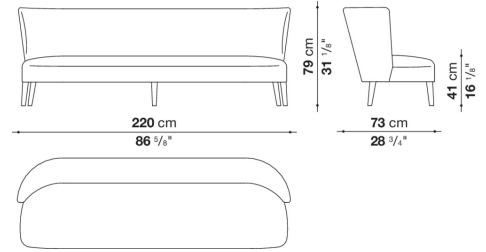
Internal frame
tubular steel and steel profiles
Internal frame upholstery
Bayfit® flexible cold shaped polyurethane foam, polyester fibre cover
Seat cushion upholstery
shaped polyurethane, sterilized down, polyester fibre cover
Back cushion (FB40-FB60)
down feather and polyester fibre, box style typology
Chaise longue back cushion (2807)
sterilized down, polyester fibre, polyester fibre cover
Legs
thermoplastic material or covered in fabric or leather
Base-frame
solid wood
Ferrules
thermoplastic material
Cover
fabric (blanket stitching) or leather (blanket stitching or raised stitching)

Technical drawings

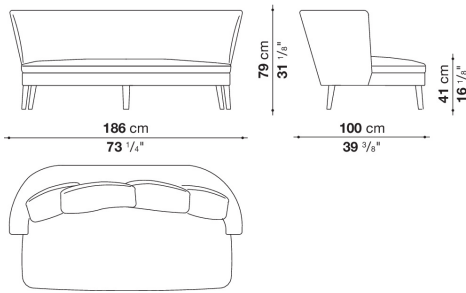
2852T



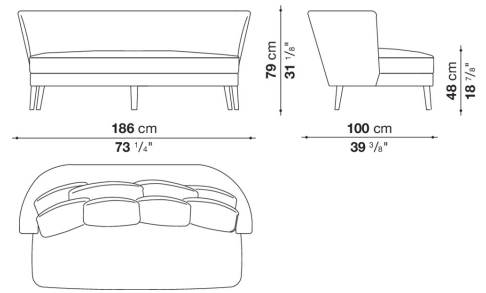
2853T



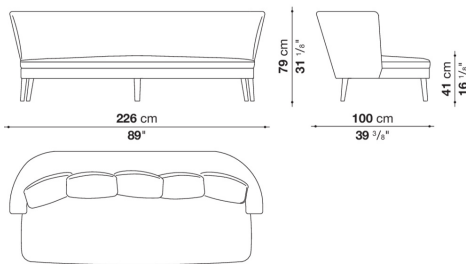
2802BT



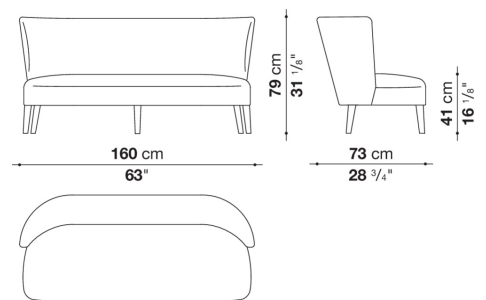
2802AT



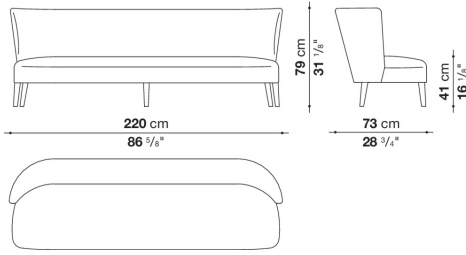
2803BT



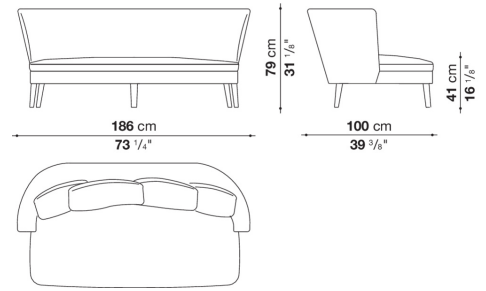
2852CT



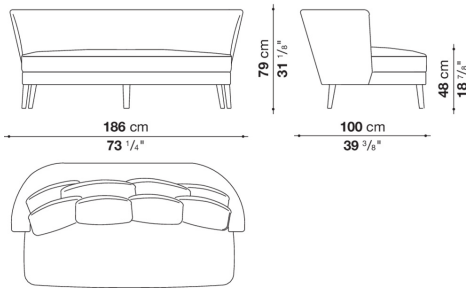
2853CT



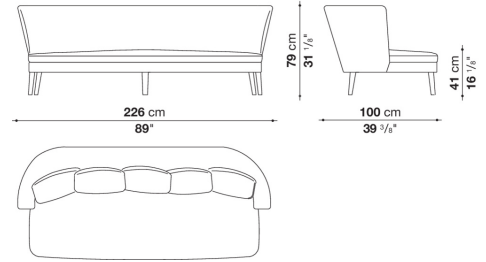
2802BCT



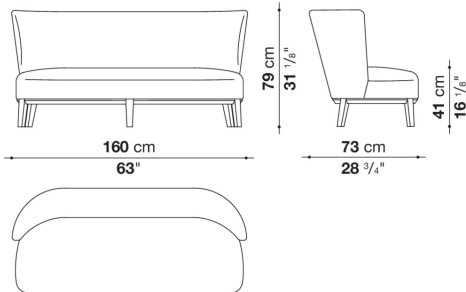
2802ACT



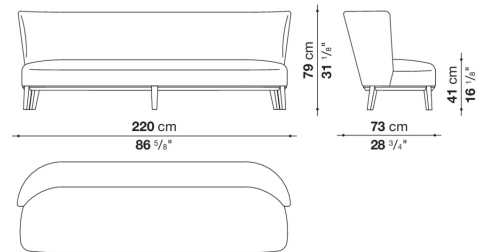
2803BCT



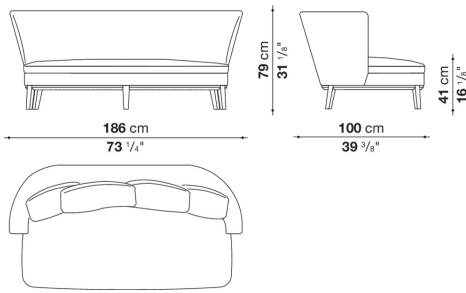
2852LT



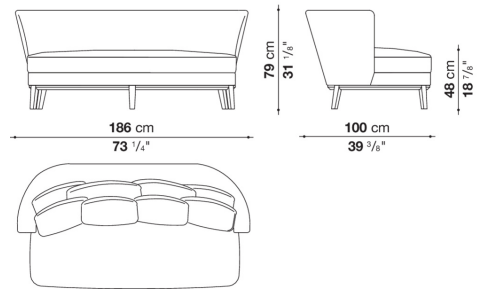
2853LT



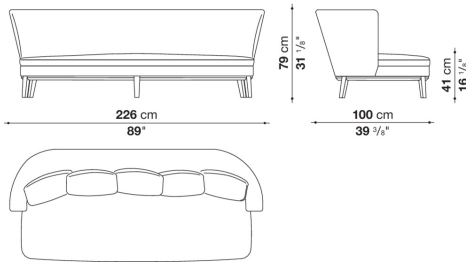
2802BLT



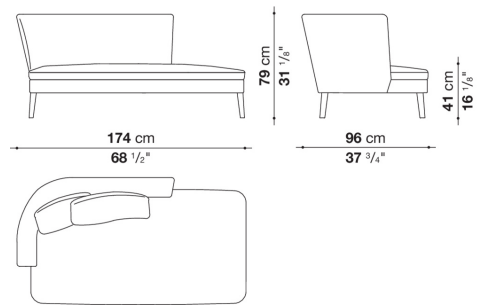
2802ALT



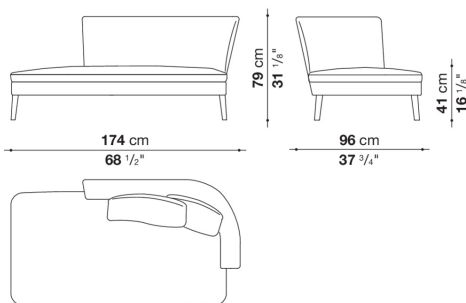
2803BLT



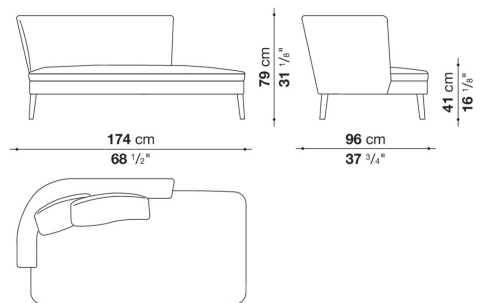
2833TS



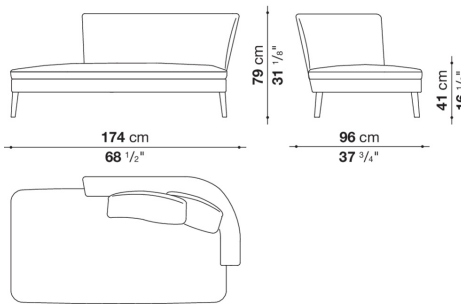
2833TD



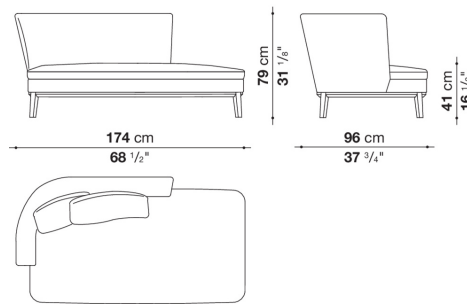
2833CTS



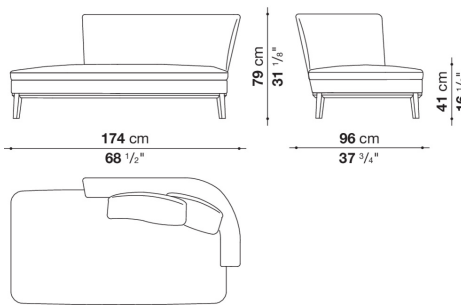
2833CTD



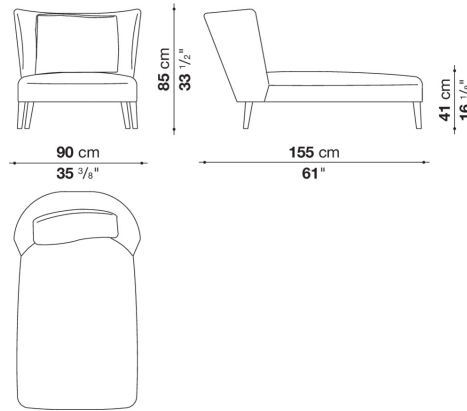
2833LTS



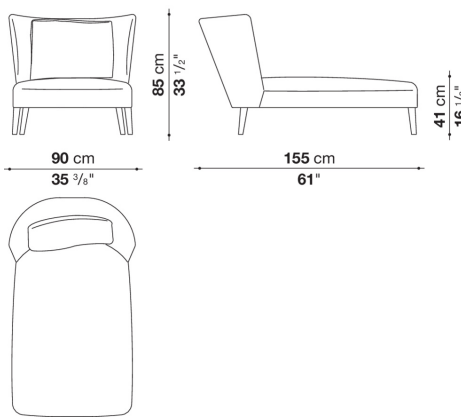
2833LTD



2807T



2807CT



2807LT

