

## Caratos

CHAIRS

2019

Antonio Citterio



## Description

---

Caratos is a collection of upholstered chairs market by great formal elegance. Available in different versions, with fabric or leather upholstery, they have in common the recognizable die-cast aluminum structure. A sophisticated proposal, designed for both domestic and contract use.

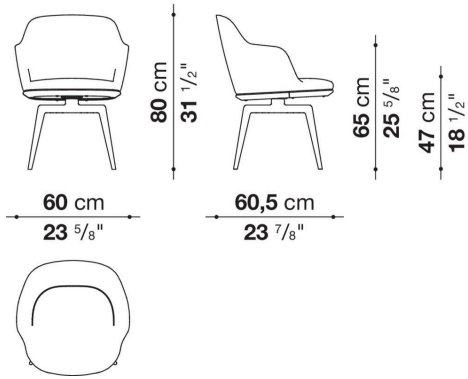
## Technical information

---

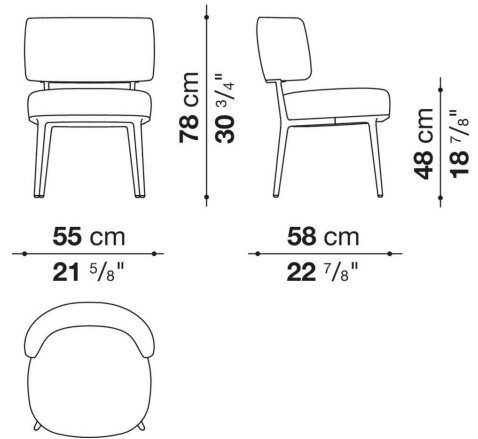
Internal frame  
tubular steel and steel profiles  
Internal frame upholstery  
Bayfit® flexible cold shaped polyurethane foam, polyester fibre cover  
Shell  
polypropylene  
Back section (CAR55-CAR65)  
moulded hard polyurethane with metal pins  
Support frame  
melting in aluminium alloy  
Support frame (CA60A-CA60B)  
die-cast magnesium  
Ferrules  
plastic material  
Cover  
fabric or leather  
Cover (CA47N)  
leather

# Technical drawings

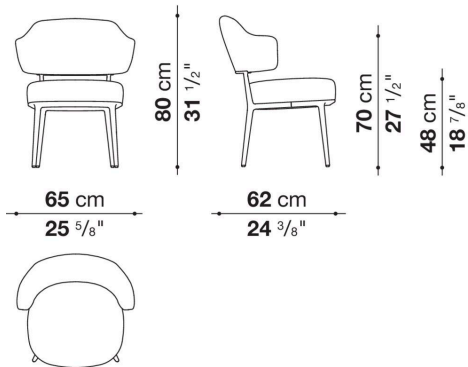
**CRT60G**



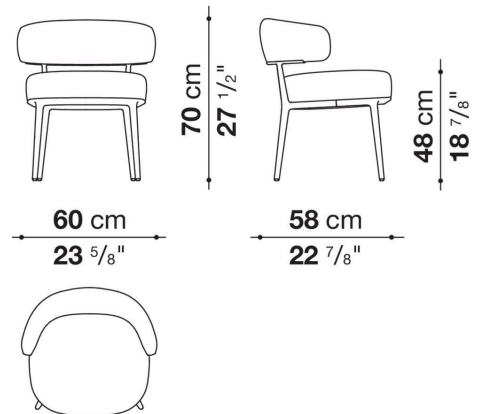
**CAR55**



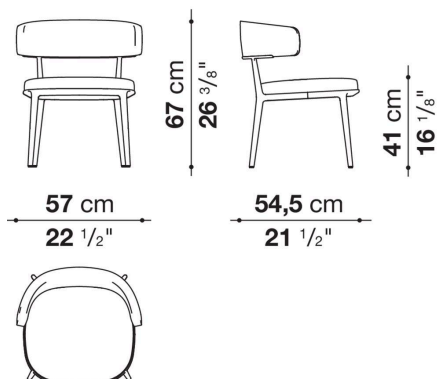
**CAR65**



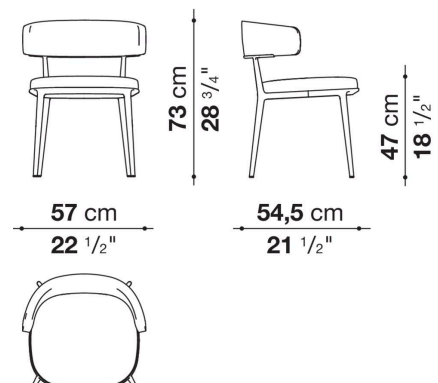
**SCA57B\_SA**

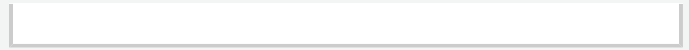
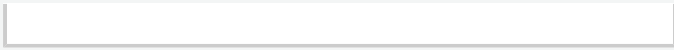


**SCA57B**

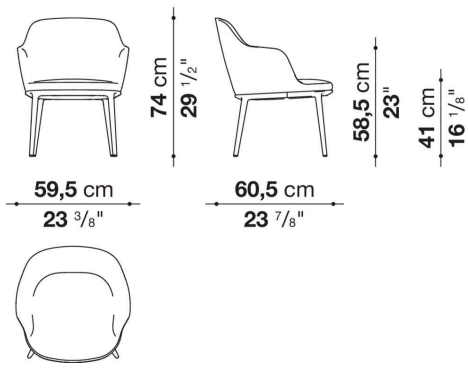


**SCA57A**

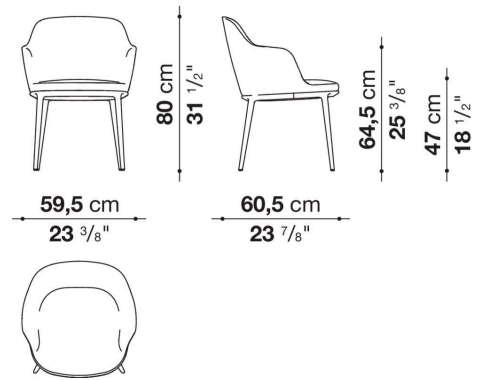




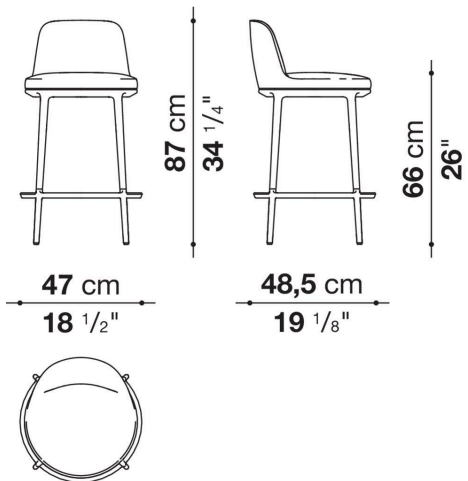
### CA60B



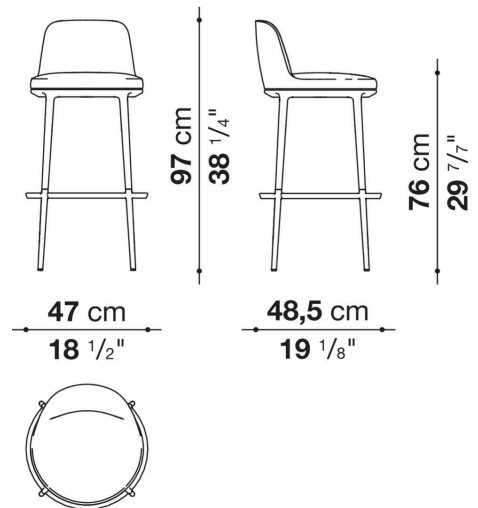
### CA60A



### CA87ST



### CA97ST



### CA47N

