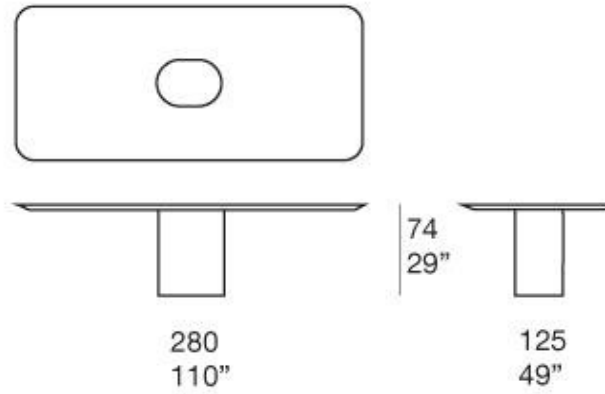


Taol Table – Paola Lenti Technical Sheet

B125A



Base: steel finished with a polyamide-based gloss varnishing.

Top: rectangular, rounded on the corners, available in Carrara, Breccia or Versilia marble coupled with a plate of aluminium honeycomb.



Carrara

Breccia

Versilia

Note: A central cavity may host a tray made of stainless steel featuring the same finishing of the base.