
Ginepro

TABLES

Antonio Citterio



Description

The Ginepro table is made with an anthracite painted aluminum structure and a Serpentine stone top. Extremely durable and precious as the linear and timeless style. With its two shapes (round and rectangular with rounded corners) and four dimensions, it lends itself to be placed in different outdoor environments: terraces, verandas, patios and gardens.

Technical information

Top

Serpentine stone

Frame

die-cast aluminium and extrusions with polyurethane painting

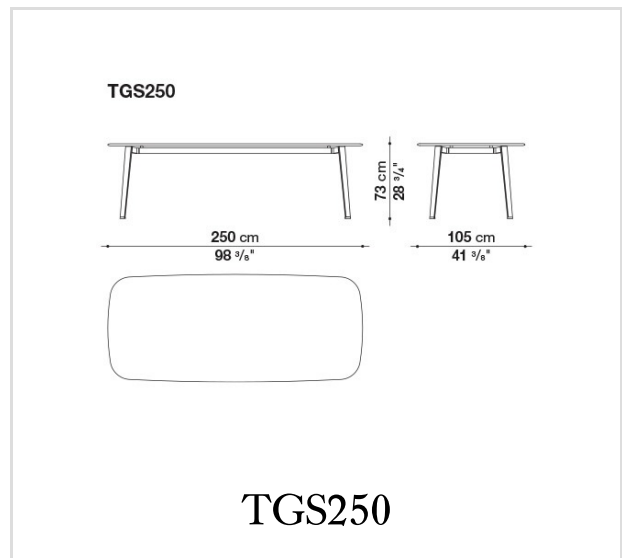
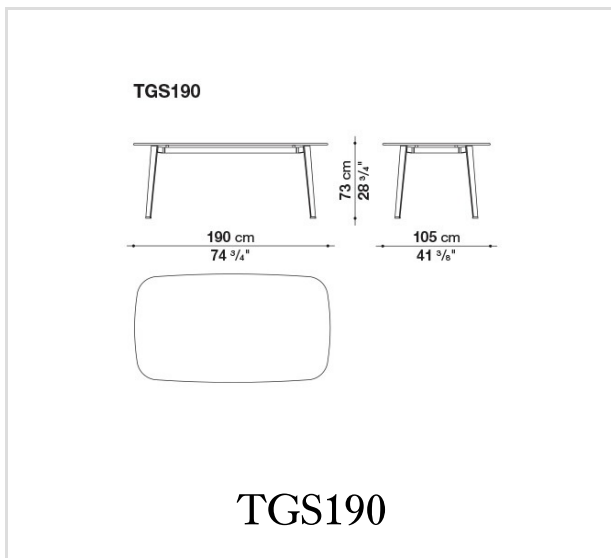
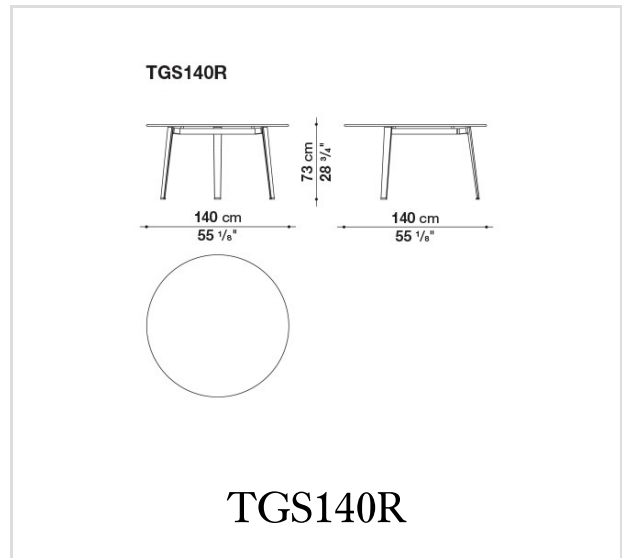
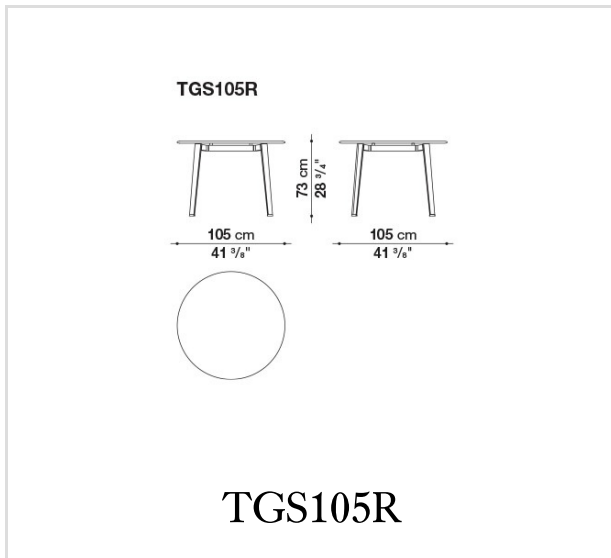
Ferrules

thermoplastic material

Waterproof cover cloth

PES fabric coated on one side in PU

Technical drawings



B&B Italia reserves the right to make technological and aesthetic improvements to its models, including changes to the sizes and materials, without notice. The technical drawings do not define the details of the product. The measurements shown are indicative and may undergo changes. In particular, the dimensions relevant to the padded parts are subject to usage tolerances over time caused by the normal adjustment of the padding. For the specific information, please contact the dealer closest to you.