

---

# Ares

TABLES

Antonio Citterio



## Description

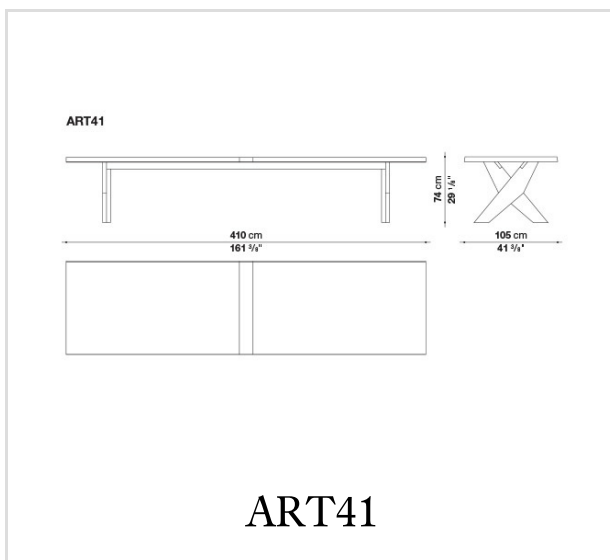
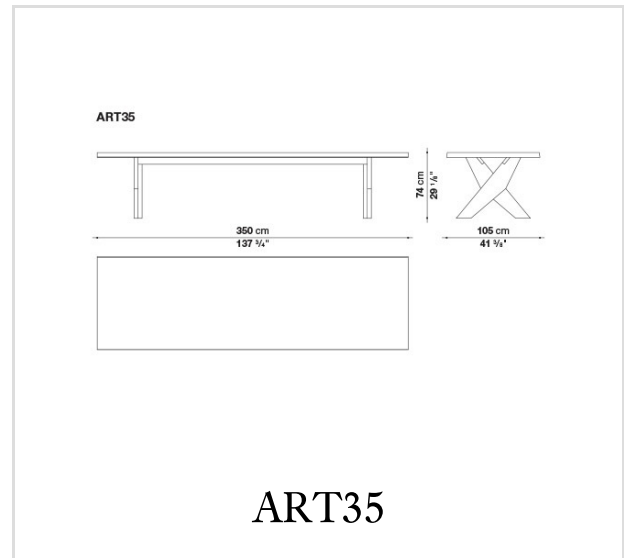
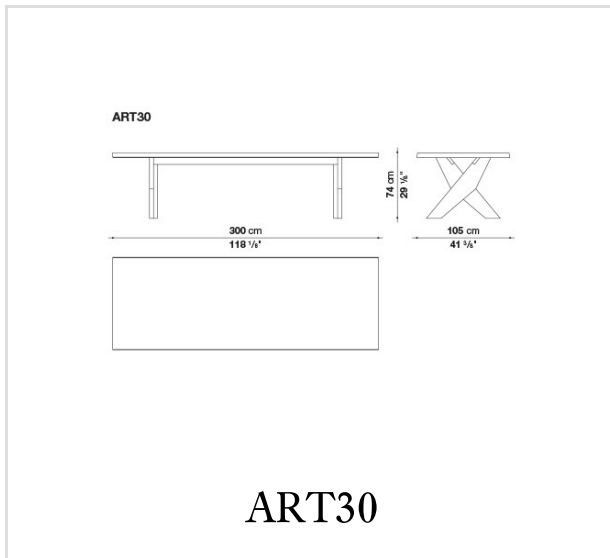
The strong aesthetic of the solid wood X-shaped leg structure formed from two overlapping shapes is the distinctive feature of the Ares table. This table has a thick rectangular top that comes in two sizes (cm.300x105 and cm.350x105 and cm.410x105) and is available in natural wenge, light brushed oak, black brushed oak, grey or smoked oak.

---

# Technical information

---

# Technical drawings



B&B Italia reserves the right to make technological and aesthetic improvements to its models, including changes to the sizes and materials, without notice. The technical drawings do not define the details of the product. The measurements shown are indicative and may undergo changes. In particular, the dimensions relevant to the padded parts are subject to usage tolerances over time caused by the normal adjustment of the padding. For the specific information, please contact the dealer closest to you.