

# T-TABLE

MARC MERCKX



## DESCRIPTION

The elegant T-Table with its refined proportions and elegant materials, inspires daydreams of a glamorous 'la dolce vita' existence. Still water disturbed by a breeze is the visual reference for the T-Table. The light-reflective, hand crafted glazed lava stone top mirrors the sky and adds a unique quality with its naturally occurring imperfections. The glazing, adorned with a subtle crackle finish, makes the stone heat, water, UV and stain resistant. The pure and simple form of the T-Table, available in various heights and dimensions, is designed to fit harmoniously with other designs in the Tribù collection.

## MATERIALS

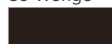
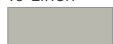
- Frame: 304 stainless steel, powdercoated with a durable polyester coating
- Table top: glazed lava stone

## COLOURS FRAME

00-White

10-Linen

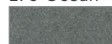
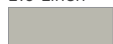
89-Wengé



## COLOURS TABLE TOP

L10-Linen

L70-Ocean

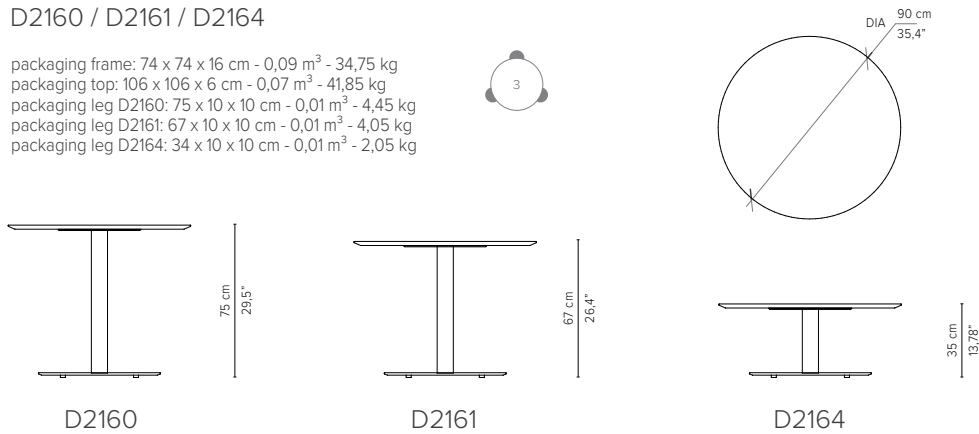


# T-TABLE

## TECHNICAL DRAWINGS

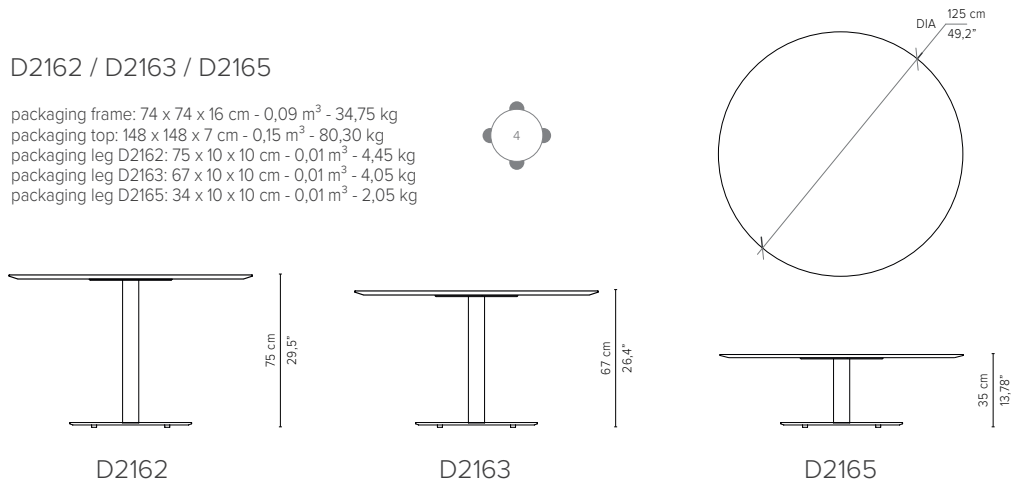
### D2160 / D2161 / D2164

packaging frame: 74 x 74 x 16 cm - 0,09 m<sup>3</sup> - 34,75 kg  
packaging top: 106 x 106 x 6 cm - 0,07 m<sup>3</sup> - 41,85 kg  
packaging leg D2160: 75 x 10 x 10 cm - 0,01 m<sup>3</sup> - 4,45 kg  
packaging leg D2161: 67 x 10 x 10 cm - 0,01 m<sup>3</sup> - 4,05 kg  
packaging leg D2164: 34 x 10 x 10 cm - 0,01 m<sup>3</sup> - 2,05 kg



### D2162 / D2163 / D2165

packaging frame: 74 x 74 x 16 cm - 0,09 m<sup>3</sup> - 34,75 kg  
packaging top: 148 x 148 x 7 cm - 0,15 m<sup>3</sup> - 80,30 kg  
packaging leg D2162: 75 x 10 x 10 cm - 0,01 m<sup>3</sup> - 4,45 kg  
packaging leg D2163: 67 x 10 x 10 cm - 0,01 m<sup>3</sup> - 4,05 kg  
packaging leg D2165: 34 x 10 x 10 cm - 0,01 m<sup>3</sup> - 2,05 kg



\* Appearances, measurements and weights may slightly differ from reality.

# T-TABLE

---

## PROTECTION COVERS

For each item a cover is available that protects the furniture against dirt. These covers in grey colour are made of PU coated polyester which is water-repellent and UV-resistant. Thanks to their excellent breathable qualities the covers reduce condensation and heat build-up, helping to prevent the formation of mold and mildew. Always make sure that furniture, cushions and covers are completely dry before covering furniture.

## MAINTENANCE

### Frame

Clean the aluminium frame with tap water and a PH neutral soap. For stubborn stains, use Aluminium Cleaner. We advise to use Metal Protector twice a year which applies an invisible film and protects the aluminium against the adhesion of dirt.



D9952  
Aluminium  
Cleaner



D9930  
Metal Protector Teflon®  
(spray that lays an invisible dirt-repellent film)

### Table top

Glazed lava stone is easy to maintain with clean water and a pH neutral liquid detergent. Possible stains can be removed with Glass & Ceramic Cleaner. To protect the surface we recommend Ceramic Protector which fills the micro pores so dirt particles won't attach to the surface and will be rain-washed.



D9938  
Ceramic  
Cleaner



D9955  
Ceramic  
Protector