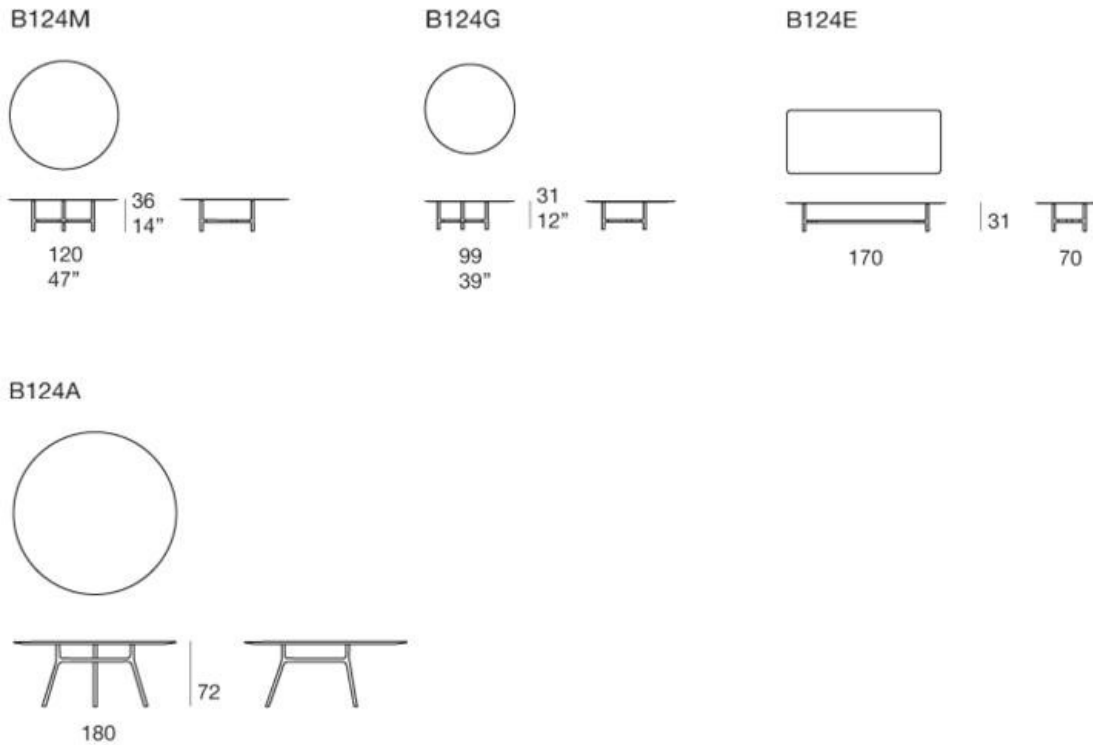


## Nesso Side Table – Paola Lenti Technical Sheet

*Available sizes:*



**Base:** molded aluminium joints and profiles in extruded aluminium matt laquered in avorio or grafite colour; plastic spacers.

**Top:** round, square or rectangular top available in Carrara, Breccia or Versilia marble, coupled with a plate of aluminium honeycomb, or in wood finished Mano Opaca, a natural finishing with oil based products. The side tables are also available with top made of copper or wood finished Mano Lucida.