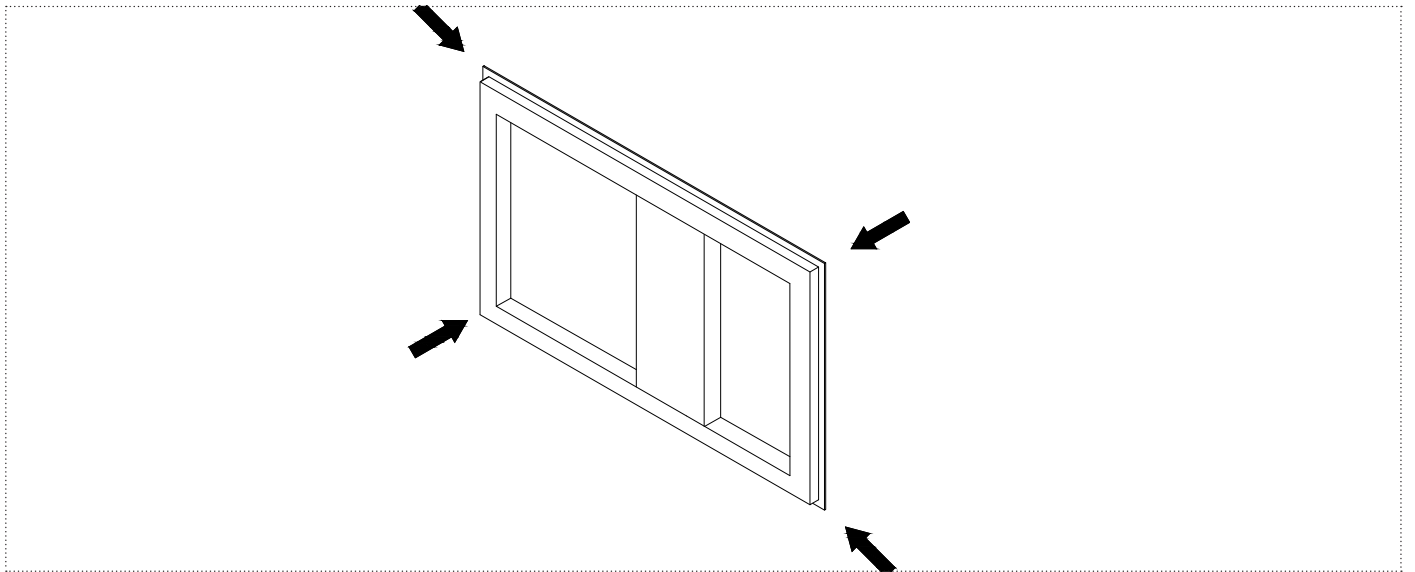


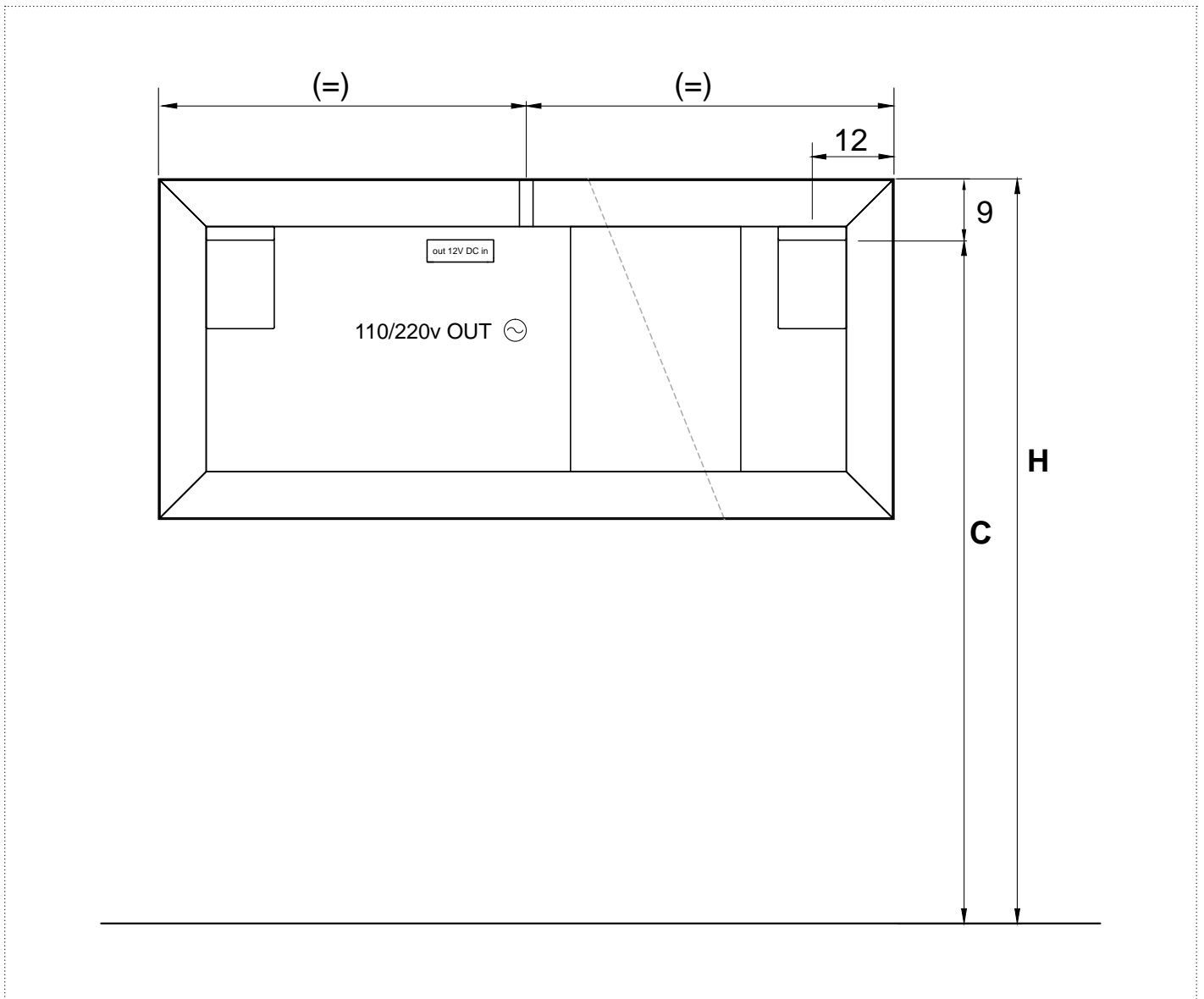
APICE design AL Studio



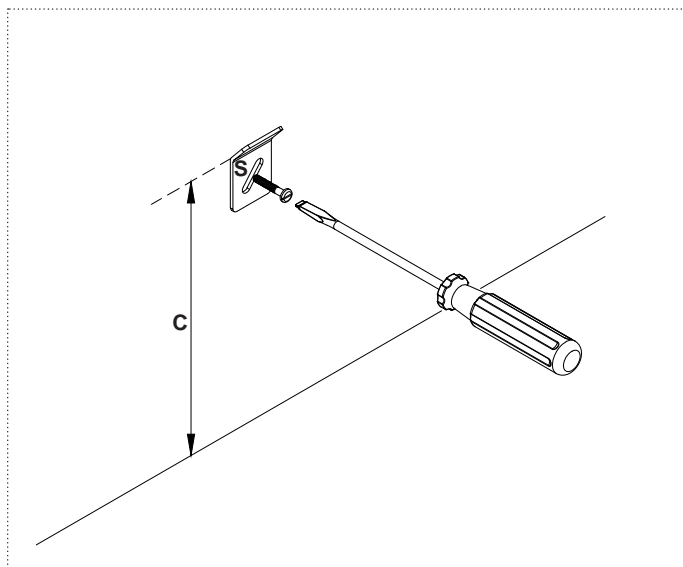
antoniolupi



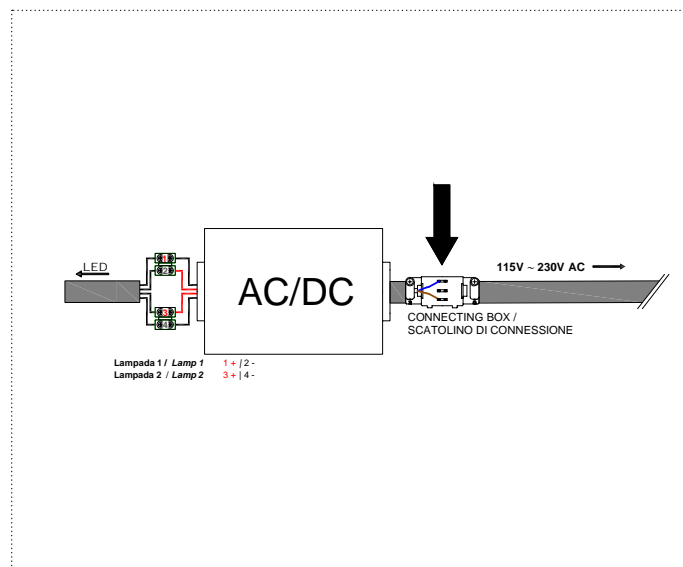
P.S.: REMOVE THE CORNER PROTECTION ONLY WHEN ISNTALLATION IS COMPLETED.
WE ADVISE TO MAKE SURE THE LIGHTING WIRES ARE PREPARED SO THEY ARE IN CORRESPONDENCE TO THE CENTER OF THE MIR-
ROR.



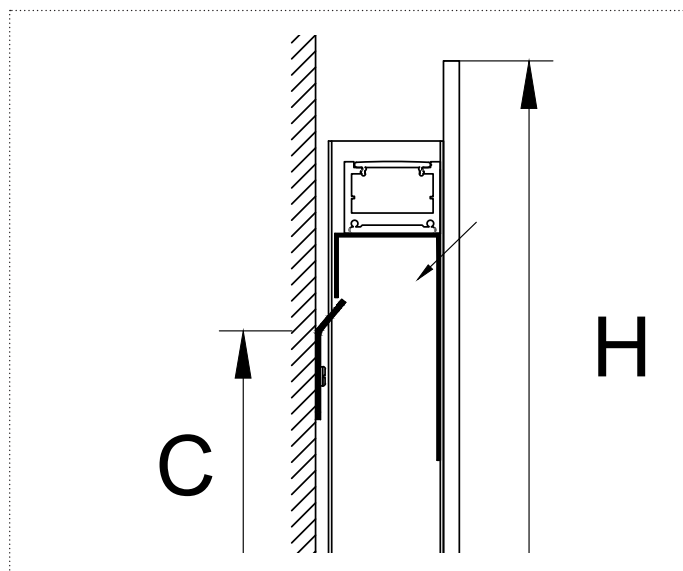
1_ To attach the mirror to the desired height **H**. Mark the position of the fixing holes of the brackets **S**, in such a way that the fold of such is located at the height **C**



2_ Fix the bracket **S** at the determined height, put the second bracket in level with the first and fasten it to the wall.



3_ Make the electrical connection between the network and the AC adapter / DC, using the small box of the supplied connection as indicated.



4_ Hang the mirror

