

Marì 2015

Luigi Baroli | 2015



This “supersleek” creation seemingly made out of air and a clever idea is surprisingly comfortable.

Chair or armchair with armrests for the home, office and community.
Available with four legs in die-cast aluminium painted with epoxy
powders RAL 7021 semi-gloss. Upon request legs painted in
several RAL colours are also available.

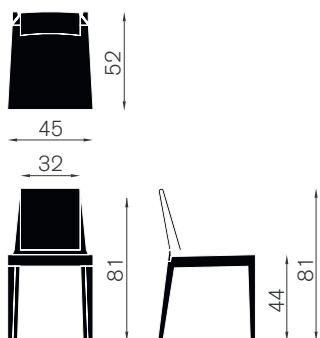
Materials:

Structure: steel frame with flexible backrest and armrests in
compact polyurethane with harmonic steel skeleton.

Seat : cold-cured CFC-free polyurethane foam.

Covers: fabric, technical fabric, leather, synthetic leather, customer
leather or customer fabric.

lb103 ml
chair aluminium legs



lb104 ml
armchair aluminium legs

