

Santa Monica Lounge

design Jean-Marie Massaud, 2012

A very enveloping and comfortable armchair, which finds its singularity in the seasonal coverings. Its style is casual and chic; casual for its comfort and unformal character and chic for the wide range of coverings recalling Poliform's universe. Santa Monica is a "mix and match" of fabric, cushions and accessories.

Sofas and armchairs collection

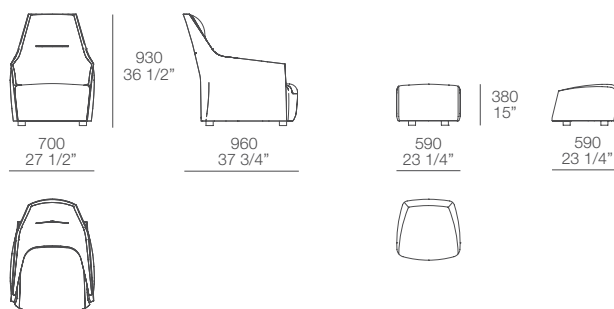
The sofas and armchairs collection: in the living area there is a full coherence between modular systems, complements and the elements dedicated to comfort. Collaborating with prestigious international designers, Poliform completes its offer with a variety of proposals that underline versatility. A series of different armchairs and sofas, able to explore a wide range of aesthetical approaches and to become part of a total "home project", where every piece of furniture matches with the other, in a highly harmonious interior design project.



Finishing:

Armchair and pouf with structure and seat in moulded flexible polyurethane in double density. Feet: chutes in plastic material or swivel base. Pre-covering: parts in cotton cloth with feather inside and parts in polyester padding. Final covering: stretched version removable in fabric and non-removable in leather and eco-leather; slipcover version removable in fabric. Stitch: double normal or stitching cord in 10 colours as per sample book (except leather and velvet covering). Trim: grosgrain in 10 colours as per sample book only for the version with slipcover.

Dimensions:



Poliform spa

via Montesanto 28 casella postale n. 1 22044 Inverigo (co) Italy tel +39/0316951 fax +39/031699444
www.poliform.it info.poliform@poliform.it