

**Furniture Specification**

---

Project: Tomassini Arredamenti Display

Item: Armchair  
Qty: 1

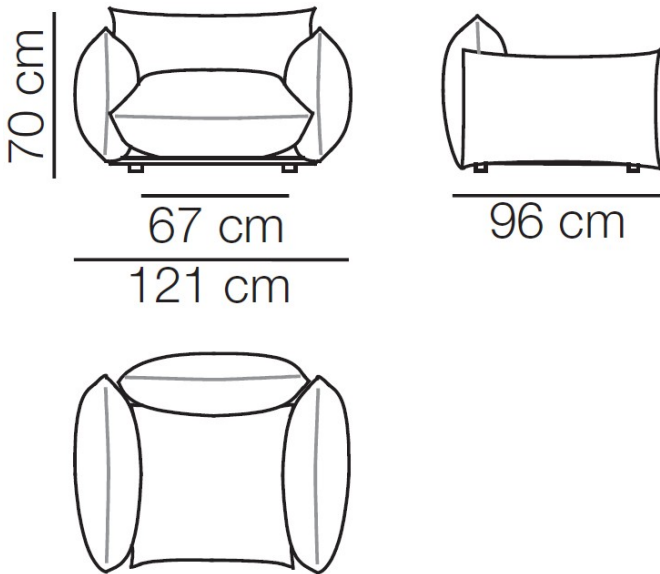
Name: Marengo 2018  
Description: Armchair with metal base and fabric upholstery.  
Dimension: Cm.121x96x70h  
Finish: Base in black lacquered metal; covered in light rope fabric.

Manufacturer: Arflex

Additional specification: Fillings and coverings are in accordance with Italian regulations. Any fireproofing or other treatment required by law in other countries must be requested upon ordering and is the responsibility of the final customer.

---

Sample / Image Reference *(Main Picture is indicative)*



Note:



Light rope fabric



Black lacquered metal