

TECHNICAL DATA

CLUB ARMCHAIR ROLF BENZ EGO



**ROLF
BENZ**

- Wooden inner frame
- Elastic webbing
- Back pad in polyether foam
- Loose back cushion: Back cushion in polyether foam, covered with polyester fleece

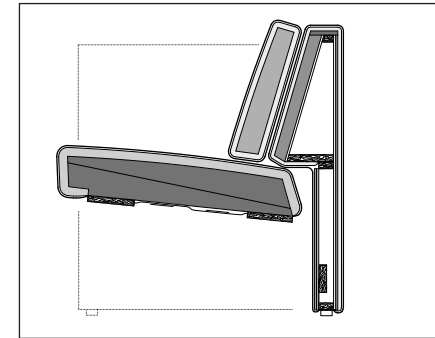
Seat comfort:

Medium: Moderately firm seat with comfortable support, due to a progressive structure of highly elastic polyether foam layers of differing degrees of firmness. A snug surface is created by covering the cushion with a mat made from a combination of high-quality fleece and foam.

Firm: A firm seat cushion made from several polyether foam layers of differing degrees of firmness. The progressive structure prevents "sinking" into the seat surface, and provides intensive support.

- Body cover quilted underneath with non-woven polyester
- Optionally 12 mm high plastic glides or casters. With casters, all heights are increased by 3 cm.

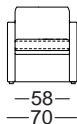
! Wave formation and depressions in the seat area are unavoidable, due to comfort and design reasons, even in high quality Rolf Benz upholstered furniture. All measurements are approximate.



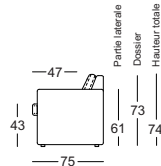
Seat width
54 cm



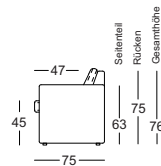
Seat width
58 cm



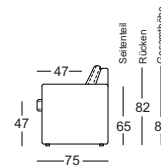
Seat height 43



Seat height 45



Seat height 47 cm



**ROLF
BENZ**