

Campo

Mauro Lipparini



Campo is a single or double bed with a soft padded headboard. The fabric, skay (eco-leather) or leather upholstery is fully removable; the ornamental stitching on the edges, which is available in different colours, adds a touch of refined contemporary appeal. The feet are in silver painted metal. The Campo bed is also available with a storage base or Comodo storage base.

COVER:

fabric
skay (eco-leather)
leather

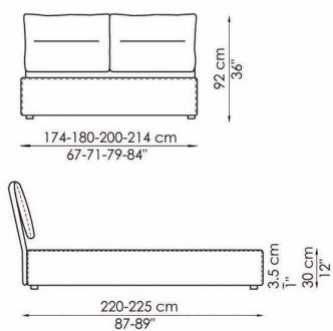
FEET:

silver-painted metal

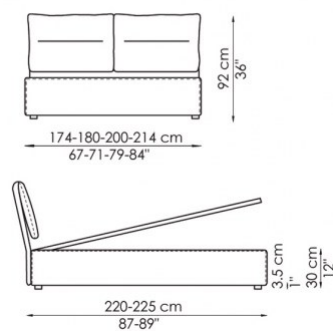
DECORATIVE EMBROID:

white, beige,
light grey, dark grey, red, blue.

Campo



Campo contenitore with storage



Campo comodo contenitore with storage

