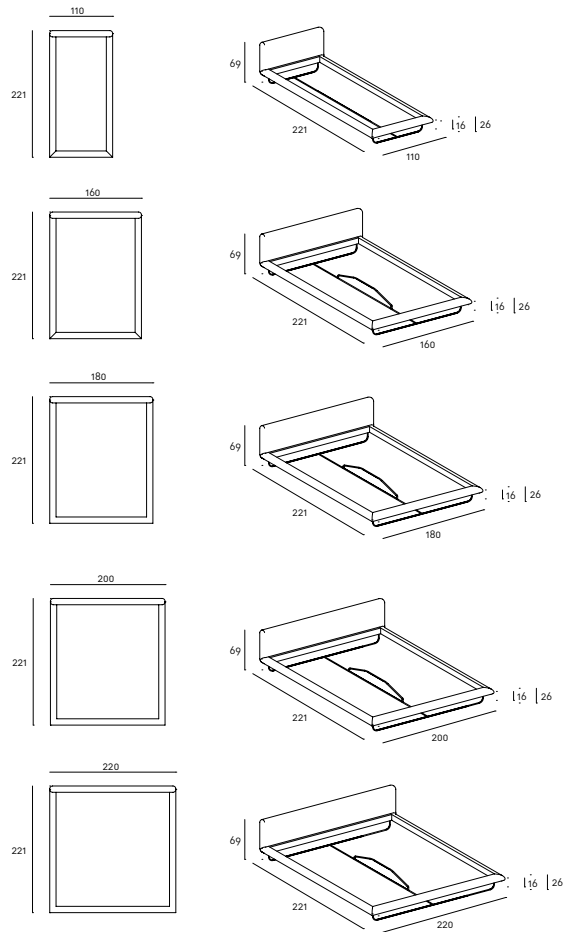




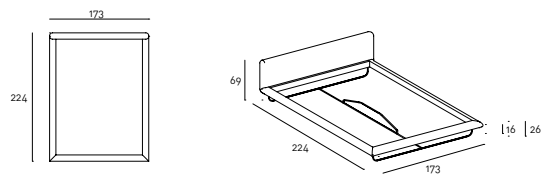
Avalon bed

design Eero Koivisto

Single or double bed with headboard and frame in double-panelled pine and poplar. Base in tubular AISI 304 stainless steel with matte satin finish. Black metal frame for bed assembly and base support. Padding in differentiated density polyurethane foam. Covering in needle punched, resonated, nonwoven polyester fibre, bonded onto a polyamide velveteen backing. Fabric or leather upholstery, fully removable. Available also in American Queen and King size.



Queen Size



King Size

