

AUTO-REVERSE DREAM



design
Giuseppe Viganò 2013

STRUCTURE: metal. Slatted base

FRAME PADDING: non-deformable polyurethane (SR75 + D40 + D18) covered with synthetic lining 150gr and coupled lining 6mm

HEAD-CUSHIONS PADDING: outer side in 100% white Gabardine 30/20 cotton cover. Filling in 65% goose down and 35% duck down

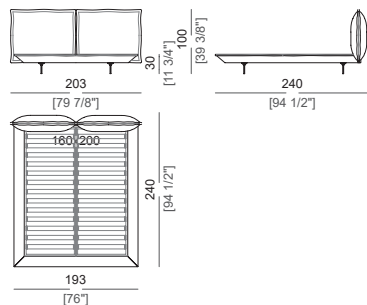
HEIGHT: 20 cm (slatted base), 30 cm (bedframe)

FEET: metal, finishes: micaceous brown, titanium or brass, h.19 cm ZIPS: available in the following colours: white (100), cream white (101), mustard (102), beige (103), green (104), brown (105), dark brown (106), burgundy (107), purple (108), light grey (109), dark grey (110), sand beige (111), olive grey (112), slate grey (113), light blue grey (114) and aquamarine blue (115).

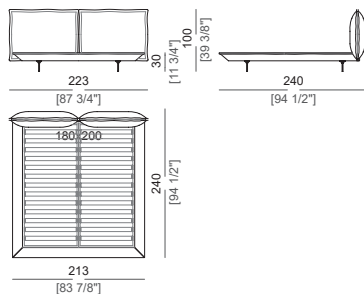
ATTENTION: back cushions are reversible and they can be covered with different fabrics and/or leathers. The cover of the structure is always in the same fabric or leather of one side of the cushions. The grosgrain of the perimeter is in the same colour of the head cushion zip.

AUTO-REVERSE DREAM

Bed



Bed



Bed (King size)

