

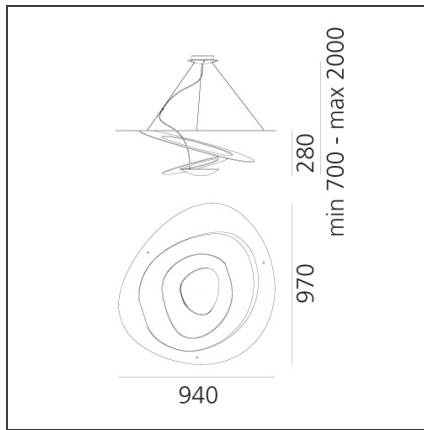
Pirce Suspension - White



IP20

Dimmerable: + -

TECHNICAL DRAWINGS



DESIGN BY

Giuseppe Maurizio Scutellà

DESCRIPTION

Suspension lamp in painted aluminium. Opening out of a slim disk are fluttering spirals, which fall gently downwards, creating magical effects of form and light.

FEATURES

Article Code:	1239010A	Material:	Aluminum
Colour:	White	Series:	Design
Installation:	Suspension	Area contract:	Residential
Environment:	Indoor	Emission:	Indirect

DIMENSIONS

Length:	cm 94	Glow Wire Test:	650
Width:	cm 97		
Height:	cm 28		
Max Height from ceiling:	cm 200		

NOT INCLUDED SOURCES

Category:	HALO	Color temperature (K):	2950K
Number:	1	Class:	A
Watt:	330W		
Lbs:	R7s		

ALTERNATIVE SOURCES

Category:	LED
Number:	1
Watt:	11w
Delivered lumens output (lm):	1110lm
Type:	2
Socket:	R7s
Class:	A

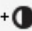
LUMINAIRE

Watt:	W	Delivered lumens output (lm):	6433lm
Voltage:	220V-240V	CCT:	3000K
		Efficiency:	71%
		Efficacy:	16.08lm/W
		CRI:	0

Pirce Ceiling LED 3000K Gold



IP20    

Dimmerable: +  -

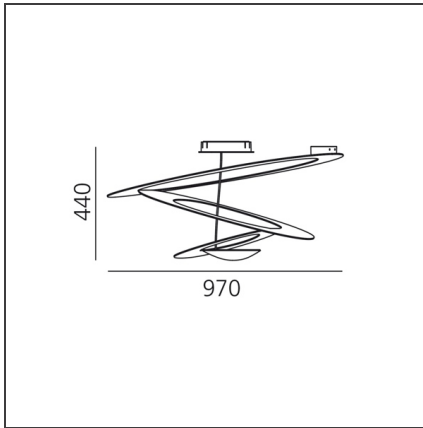
DESIGN BY

Giuseppe Maurizio Scutellà

DESCRIPTION

Opening out of a slim disk are fluttering spirals, which fall gently downwards, creating magical effects of form and light.

TECHNICAL DRAWINGS



FEATURES

Article Code:	1253120A	Material:	Aluminum
Colour:	Gold	Series:	Design
Installation:	Ceiling	Area contract:	Residential
Environment:	Indoor	Emission:	Indirect

DIMENSIONS

Width:	cm 97	Glow Wire Test:	650
Height:	cm 44		

INCLUDED SOURCES

Category:	LED	Color temperature (K):	3000K
Number:	1	Color Tolerance:	MacAdam 2SDCM
Watt:	44W	CRI:	90
Delivered lumens output (lm):	4230lm		
Type:	0		
Class:	A		

LUMINAIRE

Watt:	44W	Delivered lumens output (lm):	3313lm
Voltage:	220V-240V	CCT:	3000K
		Efficiency:	82%
		Efficacy:	75.3lm/W
		CRI:	90
		Dimmable Typology:	Push

Notes

Lamp included.