

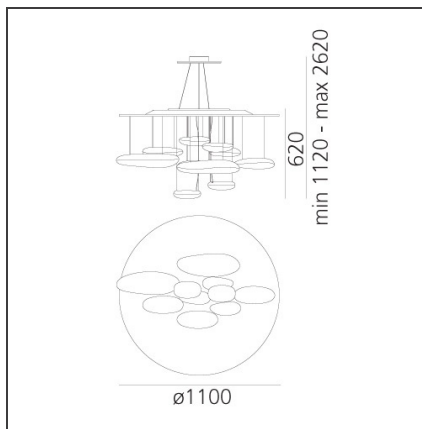
Mercury Suspension



IP20

Dimmerable: + -

TECHNICAL DRAWINGS



DESIGN BY

Ross Lovegrove

DESCRIPTION

A ceiling fixture that places a floating assembly of large pebbles below a simple modern aluminium disc. These in turn reflect each other bouncing light between their taugth bio - morphic surfaces and reflecting the environment around them. During the day the piece acts as a sculptural object reflecting the dynamics of natural light and the movement of people around them. Die-cast aluminium lighting units; reflective units made of injection-moulded thermoplastic material with metallic finish; die-cast aluminium reflector.

FEATURES

Article Code:	1397110A	Material:	Aluminium, ABS, steel
Colour:	Polished chrome	Series:	Design, Hydro, Scenarios
Installation:	Ceiling, Suspension	Area contract:	Hospitality, Office, Residential
Environment:	Indoor	Emission:	Indirect

DIMENSIONS

Height:	cm 60	Glow Wire Test:	650
Max Height from ceiling:	cm 200		

NOT INCLUDED SOURCES

Category:	HALO	Color Rendering:	1a
Number:	2	Color temperature (K):	2950K
Watt:	160W		
Lbs:	Qt-de12		
Socket:	R7s		
Duration (h):	2000h		

ALTERNATIVE SOURCES

Category:	LED
Number:	2
Watt:	11w
Delivered lumens output (lm):	1110lm
Type:	2
Socket:	R7s
Class:	A

LUMINAIRE

Watt:	320W	Delivered lumens output (lm):	6600lm
Voltage:	220V-240V	CCT:	3000K

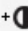
Notes

Its modular shape lends itself to the creation and realisation of customized compositions, supplied as special project.

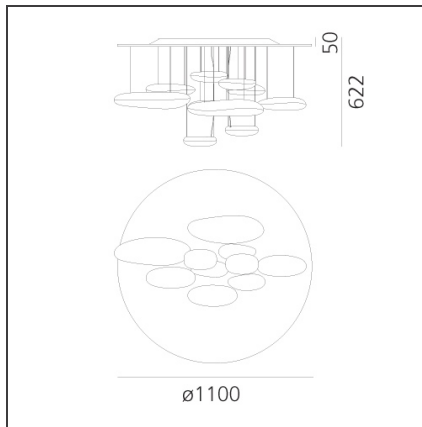
Mercury Ceiling



IP20     

Dimmerable: +  -

TECHNICAL DRAWINGS



DESIGN BY

Ross Lovegrove

DESCRIPTION

Lamp available in the suspension and ceiling versions. "A ceiling fixture that places a floating assembly of large pebbles below a simple modern aluminium disc. These in turn reflect each other bouncing light between their taught bio - morphic surfaces and reflecting the environment around them. During the day the piece acts as a sculptural object reflecting the dynamics of natural light and the movement of people around them. Die-cast aluminium lighting units; reflective units made of injection-moulded thermoplastic material with metallic finish; die-cast aluminium reflector.

FEATURES

Article Code:	1396110A	Material:	Aluminium, ABS, steel
Colour:	Polished chrome	Series:	Design, Hydro, Scenarios
Installation:	Ceiling, Suspension	Area contract:	Hospitality, Office, Residential
Environment:	Indoor	Emission:	Indirect

DIMENSIONS

Height:	cm 60	Glow Wire Test:	960
----------------	-------	------------------------	-----

NOT INCLUDED SOURCES

Category:	HALO	Color Rendering:	1a
Number:	2	Color temperature (K):	2950K
Watt:	160W		
Lbs:	Qt-de12		
Socket:	R7s		
Duration (h):	2000h		

ALTERNATIVE SOURCES

Category:	LED
Number:	2
Watt:	11w
Delivered lumens output (lm):	1110lm
Type:	2
Socket:	R7s
Class:	A

LUMINAIRE

Watt:	320W	Delivered lumens output (lm):	6600lm
Voltage:	220V-240V	CCT:	3000K