
Technical informations

Internal frame:

tubular steel and steel profiles

Internal frame upholstery:

Bayfit® (Bayer®) flexible cold shaped polyurethane foam, polyester fibre cover

Seat cushion upholstery:

shaped polyurethane, sterilized down, polyester fibre cover

Back cushion (FB40-FB60):

upholstery : down feather + polyester fibre, typology : box style

Legs and base-frame:

solid wood: grey oak, brushed light oak, brushed black oak or smoked stained oak

Legs cover:

bronzed nickel painted or bright chromed thermoplastic material

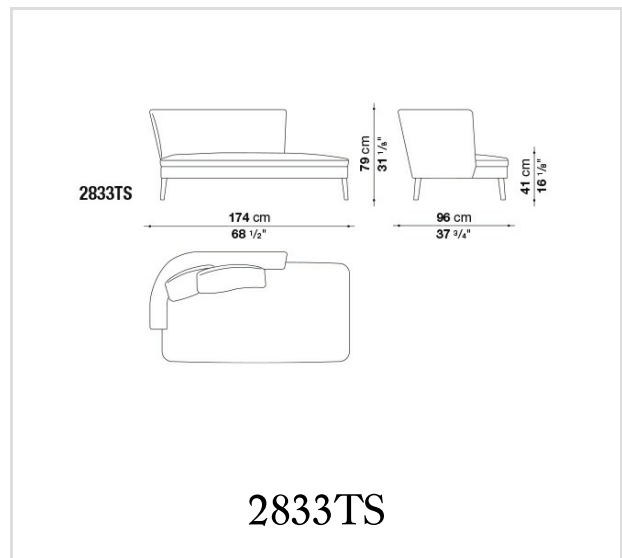
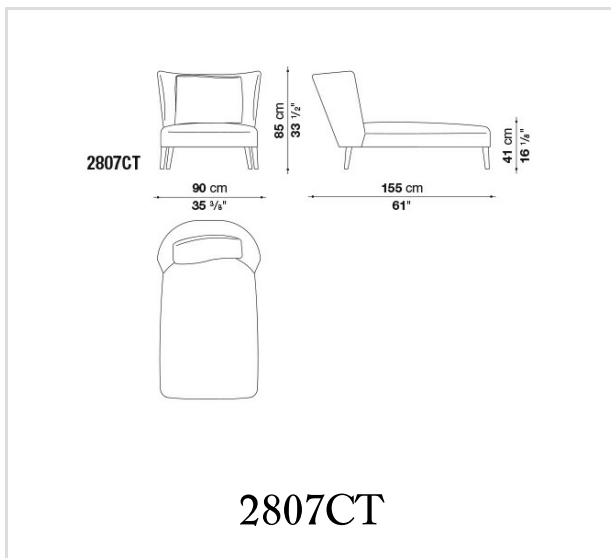
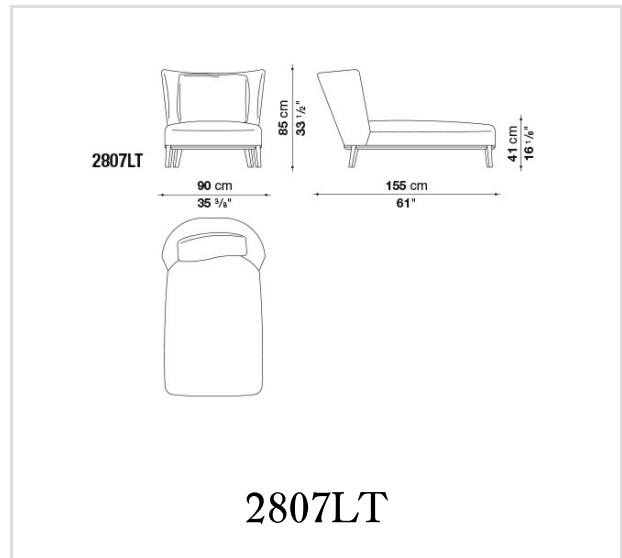
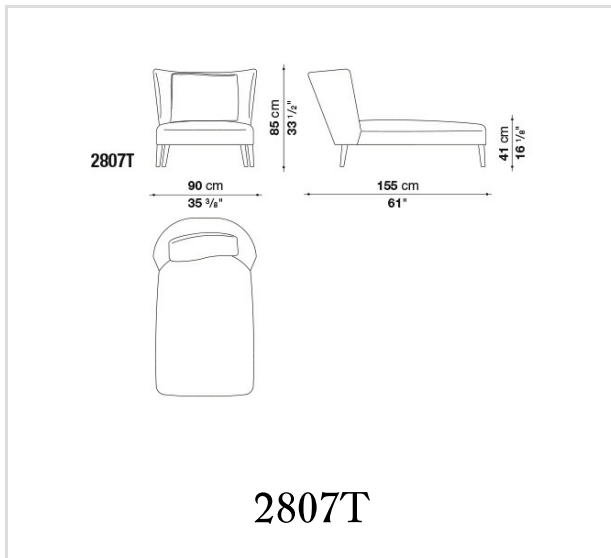
Ferrules:

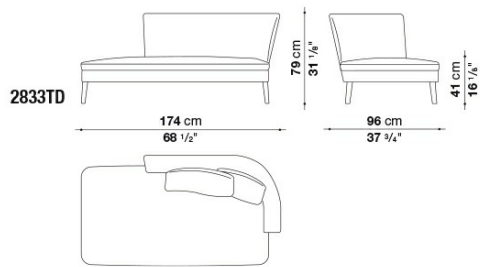
thermoplastic material

Cover:

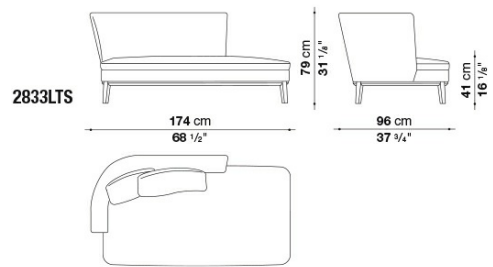
fabric (blanket stitch) or leather (blanket stitch or raised stitch)

Technical drawings

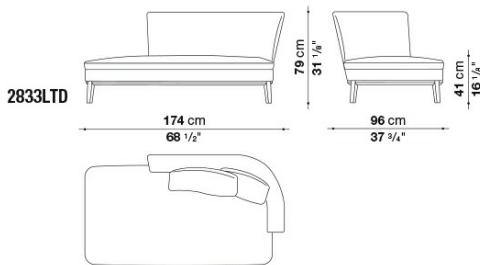




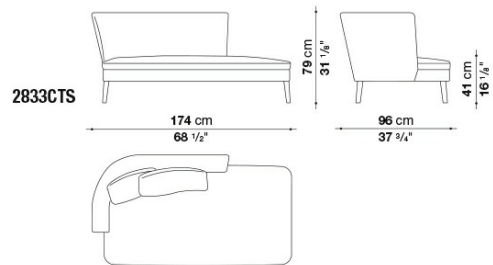
2833TD



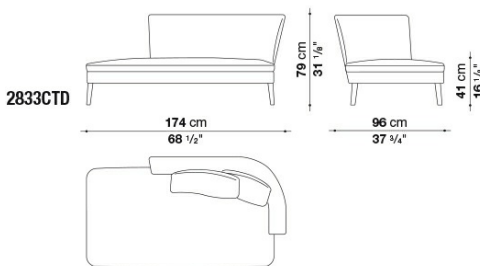
2833LTS



2833LTD



2833CTS



2833CTD