

Meir Sofa - sofa

design Matteo del Pero



Sofas entirely made of precious and exclusive leathers and offered in two sizes (220 cm and 280 cm) that enhance the comfortable and contemporary design.

Divani interamente realizzati in pregiati ed esclusivi pellami e proposti in due misure (da cm. 220 e da cm. 280) che ne esaltano il design avvolgente e contemporaneo.



Meir Sofa - sofa

design Matteo del Pero

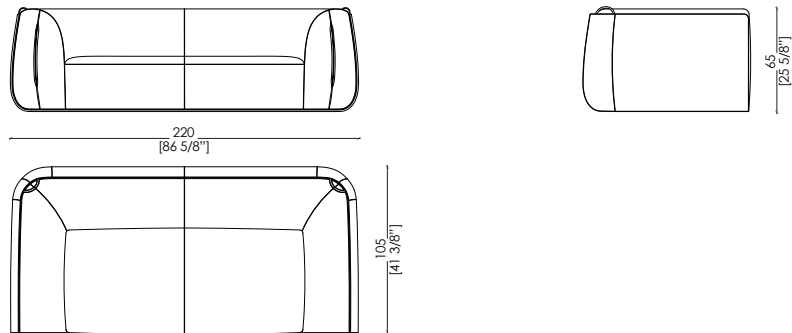


The distinctive element of the zipper reveals the meticulous attention to detail of the sartorial upholstery when opened. A sophisticated and contemporary design characterized by an external structure that embraces and encloses the ample and comfortable seats.

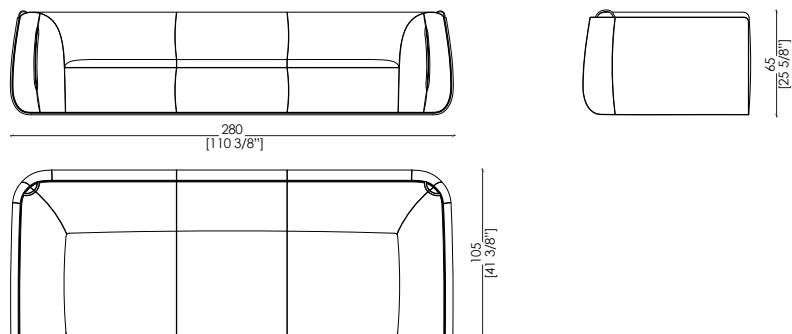
L'elemento distintivo della cerniera che svela anche da aperto la minuziosa cura al dettaglio della confezione sartoriale. Un design sofisticato e contemporaneo caratterizzato da una struttura esterna che abbraccia e racchiude le ampie e comode sedute.

_dimensions

2 seats - 2 posti - 2 Sitziges
2 Places - Двухместный



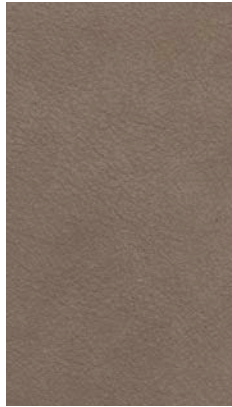
3 seats - 3 posti - 3 Sitziges
3 Places - Трехместный



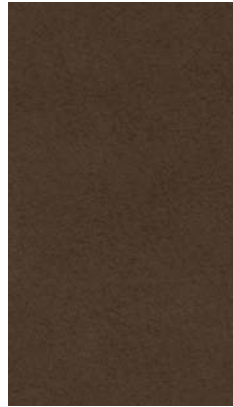
_Dimensions in millimeters and inches.
The right to discontinue and make changes is reserved.
This information is based on the latest product information
available at the time of printing.

_materials & finishes

NUBUCK LEATHERS



Nubuck 2118



Nubuck 2133



Nubuck 2132



Nubuck 2115



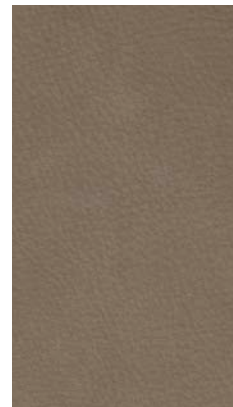
Nubuck 2105



Nubuck 2103



Nubuck 2102



Nubuck 2101



Nubuck 2100

_The finishes shown are indicative and refer to the entire production range.
We recommend that you consult the samples which show the complete range of finishes, including those not shown here.
Laurameroni reserves the right to modify the range without warning.

_materials & finishes

LEATHERS



Pixel Antracite



Pixel Guacamole



Pixel Vino



Pixel Nocciola



Skin Ebony



Skin Garnet



Skin Marble



Skin Mud



Skin Night



Skin Rust

_The finishes shown are indicative and refer to the entire production range.
We recommend that you consult the samples which show the complete range of finishes, including those not shown here.
Laurameroni reserves the right to modify the range without warning.

_materials & finishes

LEATHERS



Swing 4501



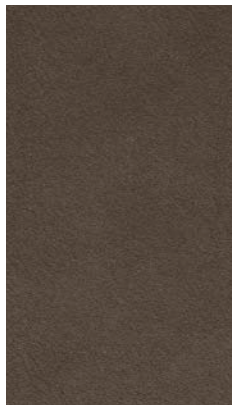
Swing 4502



Swing 4503



Swing 4504



Swing 4507

_The finishes shown are indicative and refer to the entire production range.
We recommend that you consult the samples which show the complete range of finishes, including those not shown here.
Laurameroni reserves the right to modify the range without warning.

_materials & finishes

VELVET



Velvet 407



Velvet 417



Velvet 403



Velvet 412



Velvet 438



Velvet 418



Velvet 405



Swing 4501



Velvet 431



Velvet 429



Velvet 409



Velvet 404

_The finishes shown are indicative and refer to the entire production range.
We recommend that you consult the samples which show the complete range of finishes, including those not shown here.
Laurameroni reserves the right to modify the range without warning.

_materials & finishes

VELVET



Velvet 414



Velvet 424



Velvet 413



Velvet 437



Velvet 457



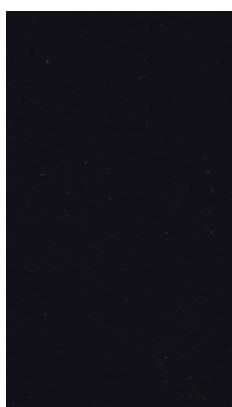
Velvet 477



Velvet 487



Swing 4515



Velvet 406

_The finishes shown are indicative and refer to the entire production range.
We recommend that you consult the samples which show the complete range of finishes, including those not shown here.
Laurameroni reserves the right to modify the range without warning.

_maintenance

_Leather is a natural product. It is individual, unmistakable and very durable. Natural unevenness, softness and minimal colouring which allows the material to breathe are the features of the best quality leathers. For maintenance and cleaning do not use acids or alkali-based cleaners. Never use stain remover, shoe cream, solvents, floor wax, cosmetics or other aggressive cleaning agents. Do not use scouring agents, steel wool, pot cleaners or similar. We recommend you do not expose the product to strong heat, as this can change its appearance. Please protect the product from abrasion, moisture and other factors so that the surface is not damaged beyond repair. Dust the leather surface regularly with a soft cloth. Use the blunt nozzle of a vacuum cleaner to remove crumbs and sand.

If you use wrong products, the finish of the leather may be damaged seriously; damage appears as time passes, after several cleaning operations. Attention: nubuck grain leather as well as leathers finished with aniline cannot be cleaned at all, if not with a simple dry and soft cloth. Any product could damage irrecoverably the leather!

_Nubuck
European bovine hide, chrome tanned, aniline dyed. Nubuck natural grain.

Pixel
European bovine hide, chrome tanned, barrel dyed with aniline. Silkscreen-WR.

Tosca
European origin, chrome tanned, drum dyed, printed and finished to obtain a lightening effect.

Swing
European bovine hide, chrome tanned, aniline dyed. Top-grain leather, smooth matt surface, silky touch.

Skin
European bovine hide, dry vacuum, aniline dyed. Natural look, full hand, silky touch.

_maintenance

Velvet is a woven pile fabric whose pile is less than 3 mm high. Velvet can be made from both natural and synthetic fibres. Depending on the material used to make it, its density and its pile length, velvet can be very fine, soft and flowing or tougher and firmer.

Our velvet fabrics have to be dry-cleaned.

Dust and loose dirt should be removed from velvet regularly by vacuuming it using a special upholstery nozzle (soft bristles). The upholstery nozzle must not have a ridge or sharp edges, as these could damage the fabric. Please also brush your velvet furniture regularly using a soft brush (such as a clothes brush), going with the grain. If necessary, you can also wipe your furniture in the direction of the grain with a damp chamois (light pressure) or use mild cleaning foam for a deeper clean. Please test it first.

Deep cleaning should only be performed by an expert upholstery cleaner.

Depending on how much wear the furniture is subject to and the colour of the velvet, we recommend professional deep cleaning every four to five years.

You should hire a specialist to remove stains. If you want to try to remove the stain yourself first, proceed as follows:

Cleaning products must be tested first to ensure they are suitable. Make sure you choose a pH-neutral product. Acidic products damage cotton and cellulose fabrics. We recommend using special upholstery cleaning products to remove stains and clean furniture effectively.

Remove dust first, then test the colour fastness and changes to the surface of the upholstery fabric on an inconspicuous area by rubbing it with a clean, soft, white cloth dipped in the cleaning or stain removal product.

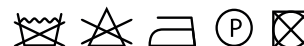
In some cases, pressure, heat and moisture can cause pressure marks on velvet, which may be light or heavy. This is typical of the product type and not a sign of inferior quality. In our experience, it is not always possible to remove sitting marks by treating the fabric, e.g. steaming and brushing it.

To some degree, sitting marks are therefore typical of all woven pile fabrics. The best way to reduce them is to clean the fabric regularly and occasionally brush the pile in every direction.

Please ensure that no hot-water bottles, electric blankets, etc. are placed on the fabric. The combination of heat and pressure can permanently change the surface of the fabric.

SHINY VELVETS

100% Polyester



**BEDIF
FEREN
TBEUN
IQUE.**

LAURAMERONI S.r.l.
22040 Alzate Brianza (Como)
Via Manzoni, 2784
T +39 031 761450
F +39 031 763311
info@laurameroni.com
www.laurameroni.com

