

ATLAS



design
Mauro Lipparini 2016

STRUCTURE: wood

STRUCTURE UPHOLSTERY: expanded polyurethane of varied densities (PF35FR+T40P+TL30 + NF21), covered with 100% cotton lining, wadding 380gr and coupled synthetic lining 6mm

SEAT CUSHION UPHOLSTERY: expanded polyurethane of varied densities (T35+40MH6+SOFT35S), covered with cotton lining and polyester fibres

BACK CUSHION UPHOLSTERY: outer cover in 100% down proof cotton and resin lining; filling in mixed down (70% goose down and 30% polyester fibre)

SPRINGING: elastic belts

BACK SUPPORT: metal structure with elastic belts, covered with coupled synthetic lining 6mm

SEAT HEIGHT: 41 cm

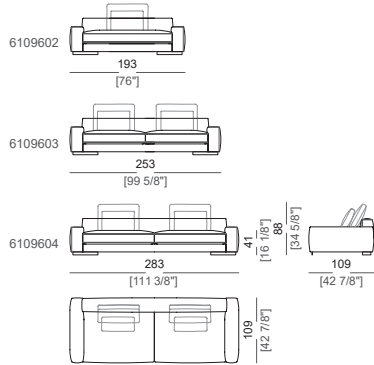
ARM HEIGHT: 53 cm (LARGE) 47 cm (SLIM)

FEET: metal finish black nickel or varnished micaceous brown or oxy grey, h.5 cm

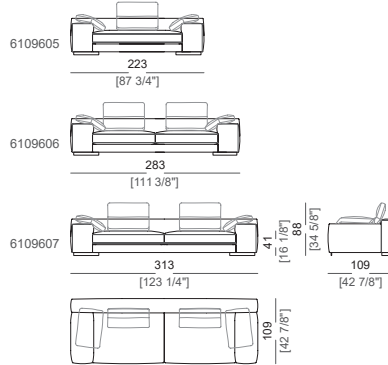
PIPING: available in the following colours: white (100), cream white (101), mustard (102), beige (103), green (104), brown (105), dark brown (106), burgundy (107), purple (108), light grey (109), dark grey (110), sand beige (111), olive grey (112), slate grey (113), light blue grey (114) and aquamarine blue (115)

ATLAS

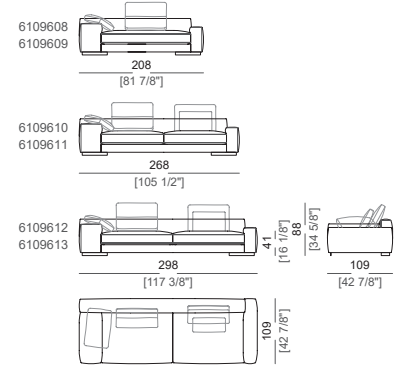
Sofa SLIM



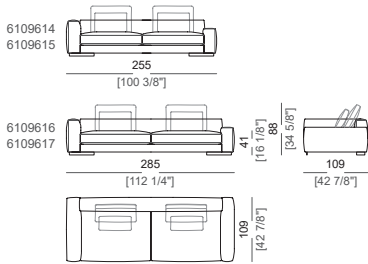
Sofa LARGE



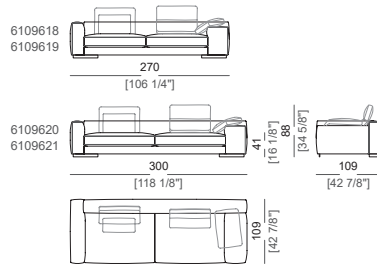
Sofa COMBO



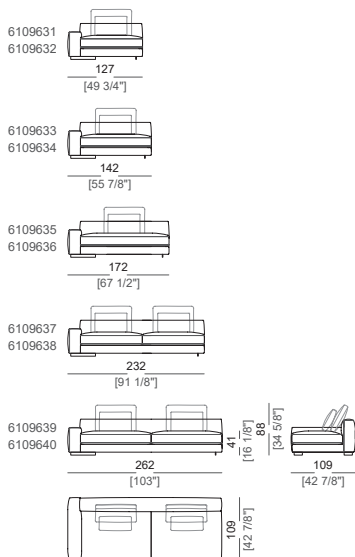
Corner sofa SLIM



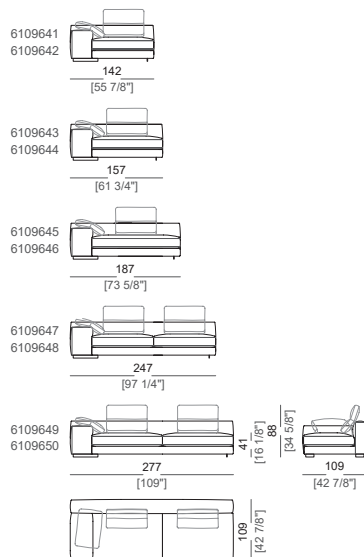
Corner sofa LARGE



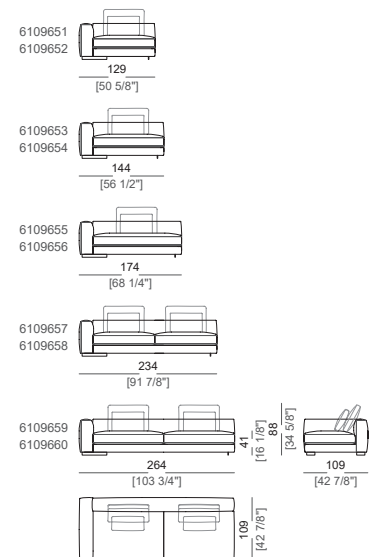
Right or left unit SLIM



Right or left unit LARGE

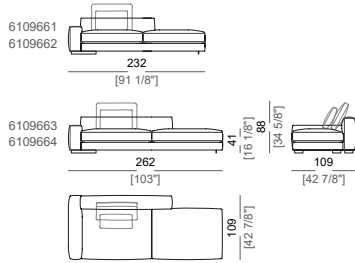


Right or left corner unit

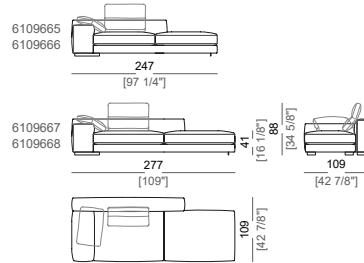


ATLAS

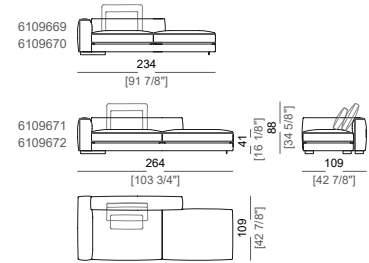
Unit SLIM with right or left pouf



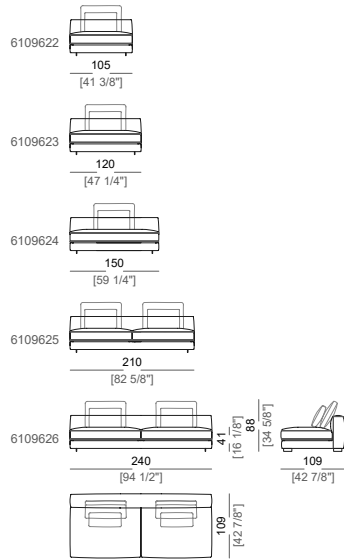
Unit LARGE with right or left pouf



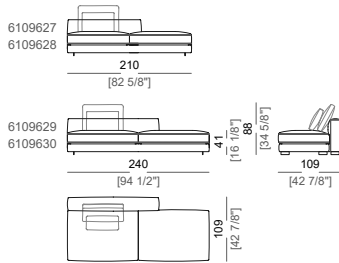
Right or left corner unit with right or left pouf



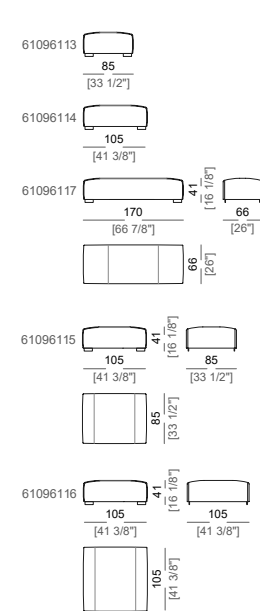
Central unit



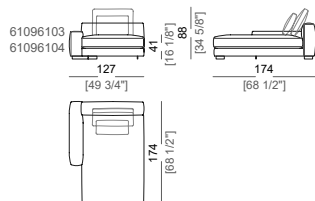
Central unit with right or left pouf



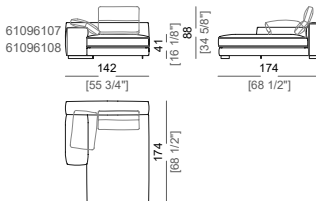
Pouf



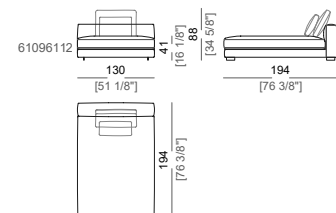
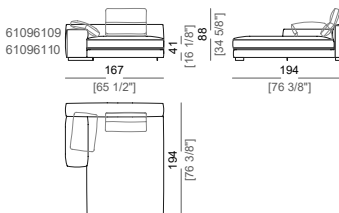
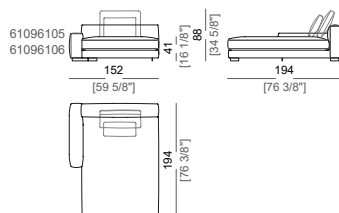
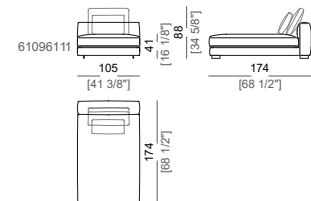
Chaise-longue SLIM with right or left short arm



Chaise-longue LARGE with right or left short arm

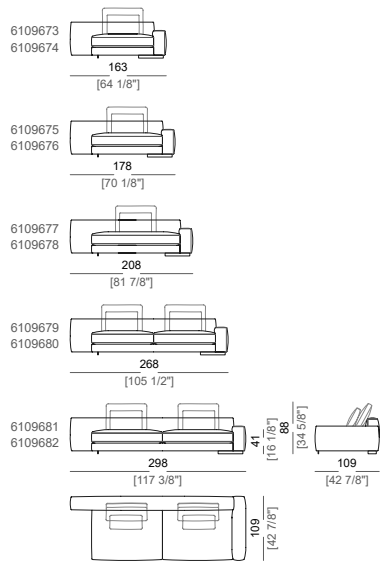


Dormeuse

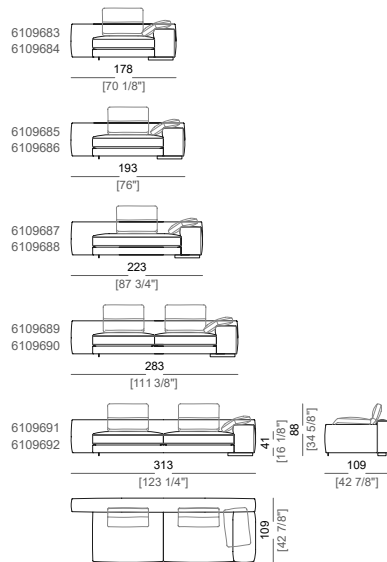


ATLAS

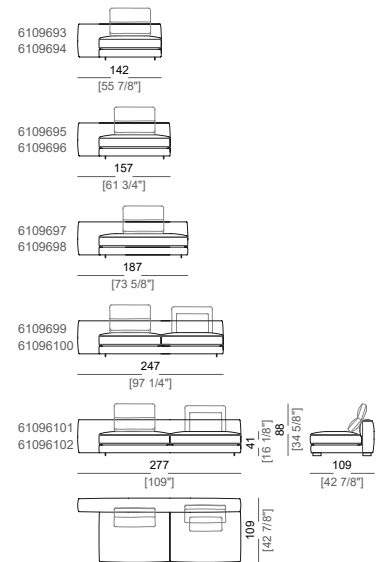
Unit SLIM with right or left back



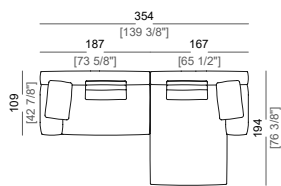
Unit LARGE with right or left back



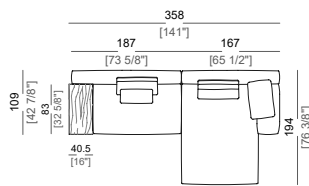
Central unit with right or left back



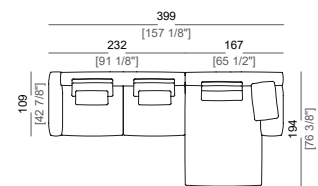
Composition A



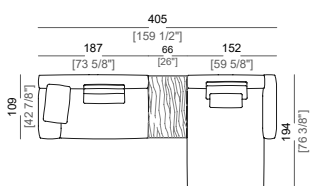
Composition B



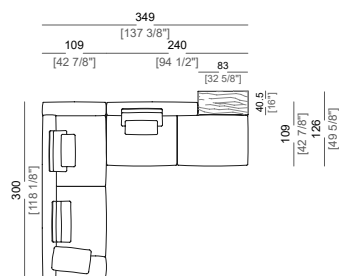
Composition C



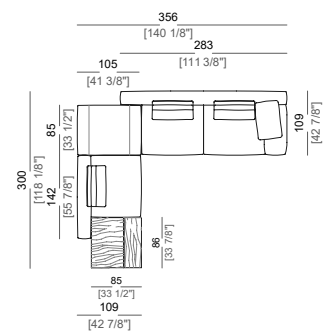
Composition D



Composition F

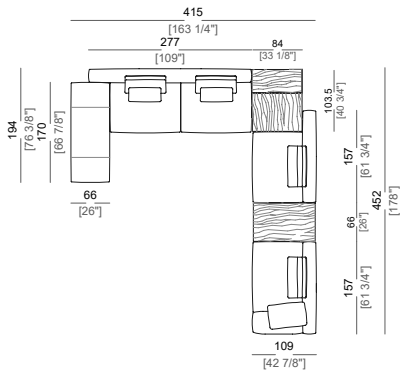


Composition G

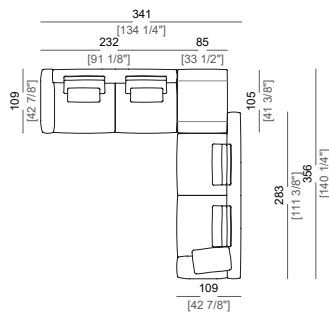


ATLAS

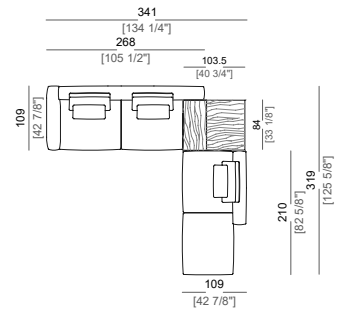
Composition H



Composition L



Composition M



Composition N

